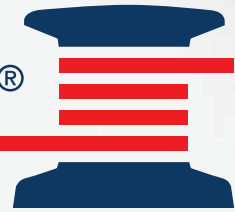
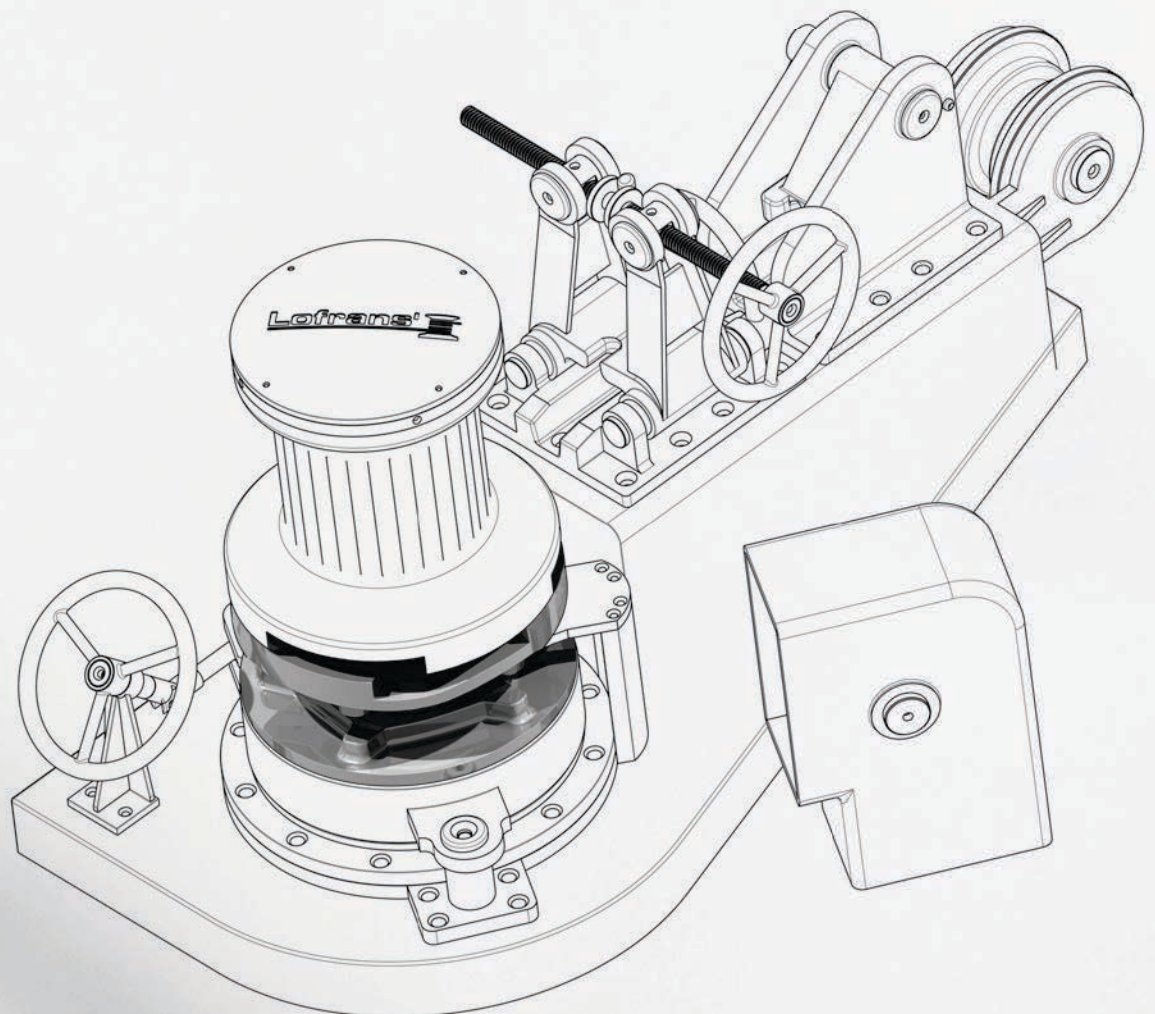
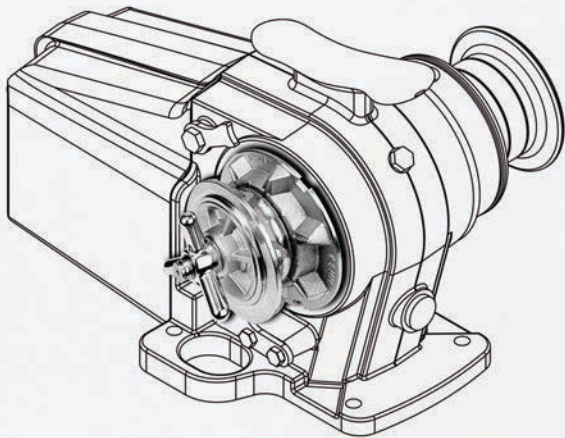


# Lofrans<sup>®</sup>



W I N D L A S S E S

T H E O R I G I N A L W I N D L A S S

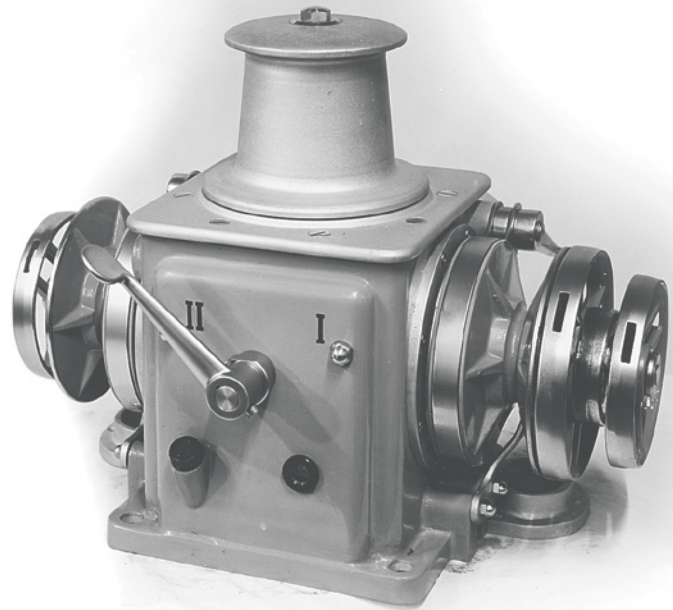


2019



Lofrans was founded in 1966 in Monza and since the beginning has focused its attention on a single product range: the anchor windlass.

During this period of 50 years, all human and technical resources have focused on a specific target, to design and create a product of the highest quality and performance.



One of first anchor windlasses built in 1966

## Lofrans' Now



The intensive research of new anchoring solutions having the ability to operate in the marine environment, has led us to build up a strong relationship with a group of carefully selected suppliers, whose long term co-operation has helped us in the construction of the components for our anchor windlasses.

This synergy gave us the ability to produce top level products in terms of quality and performance. We have been rewarded by the market which considers us the leader of this product.

With the latest CATIA CAD software, our engineers are constantly developing ideas and innovative solutions with regards to product evolution. The integration of these designs to our CAM system ensures that the switch from a conceptual idea to the actual produced component is achieved in a flawless manner.

Being one of the most weatherbeaten and mechanically challenged equipment on the deck, a windlass could not stand anything else than premium materials. Our products utilize only specific marine materials, able to withstand marine corrosion and treated in such way so as to increase their mechanical strength.



At Lofrans, we believe that durability and performance start with an extremely stringent selection of components: only AISI 316 L stainless steel, marine grade metals and electric motors designed to deliver high torque in all conditions.

Most of our components are produced by hot pressing, a technology which guarantees minimal porosity in the metal and superior mechanical features.

The most exposed components are then chemically treated in order to slow down and minimize the process of marine corrosion.

Today our anchor windlasses and capstans are able to cover the needs for vessels with a length from 6 up to 50 meters, from a range consisting of more than 25 different models.

The production is carried out in our 5000 sqm factory in Monza, where our team of designers, technicians and qualified employees are located together with our finished stock and spare parts warehouse.

During the production process in our factory, we carry out several dimensional tests on components and final products by use of our 3D co-ordinate measuring machine, as well as marine corrosion tests in a special marine environment chamber, which simulates the harshest of marine environments.

Our products meet the requirements of the most important classification societies such as RINA, BV, DNV and several others.

An important part of the Lofrans' organization is the sales and the service, which are guaranteed through a worldwide network of more than forty official distributors in the most important marine markets.

The success of Lofrans products is testified by the fact that our products are installed as standard on vessels of the most important and well reputed OEMs globally.

Since the beginning of 2013, great amounts have been invested to ensure that longevity, evolution, quality and control are guaranteed for the further development of Lofrans'. Major investments included the installation of the SAP ERP, the installation of a WMS (Warehouse Management System) integrated with hand held scanner order picking, additional Product Quality Assurance systems and Distributor order automation via an in-house B2B ordering tool.





# CONTENTS

▲ VERTICAL

▲ HORIZONTAL

▲ ZEUS RANGE

▲ CAPSTANS

▲ DECK HARDWARE & ACCESSORIES

05



SX1

new

16



SX3,5

06



X1

18



SX4

08



SX2

new

20



X4

10



X2

22



SX5

12



SX3

new

24



ERCOLE VERTICAL

14



X3

27



ROYAL

## Why is it necessary to install an anchor windlass?

There are two main reasons: Safety and Utility. The anchor windlass on your vessel allows you to handle different anchoring situations, even the most critical, always under complete safety. Every anchoring operation will be extremely simple, fast and firm under your control. No more fear of failing to recover your anchor and every anchoring will be a pleasure. No more heavy and complicated operations. Installing an anchor windlass means making an investment on the safety of your crew and your vessel.

## And what about a capstan?

Capstans are normally installed on the stern of the boat for mooring maneuvers. They are equally suitable for recreational boats, fishing and commercial vessels. One or two capstans -depending on boat size

28



LION 1000

new

36



ERCOLE HORIZONTAL

48



CHAIN STOPPER

new

29



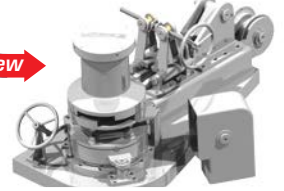
DORADO

38



SUPER ERCOLE

50



ZEUS RANGE

new

30



CAYMAN

41



T500 - T700

52



ELECTRIC ACCESSORIES

new

31



KOBRA

42

43

T1000 - T1500 - T1700  
ST1000 - ST1500 - ST1700

new

55



ACCESSORIES

new

32



TIGRES

44

45

T2000 - T2500  
ST2000 - ST2500

new

58



MAINTENANCE KITS

33



FALKON

46



ST3000 - ST4000

59



CHAINS

34



TITAN

47



CETO &amp; TENDER WINCH

60



GYPSIES &amp; CHAIN PIPES

new

and displacement- are installed on the boat in conjunction with an anchor windlass. Capstans are monitored by a set of foot switches, leaving your hands free for rope handling. The range of Lofrans capstans is designed for boats from 6 to 45 m (18 to 150').

#### Why choose a Lofrans' anchor windlass?

The strong point of every successful manufacturer is the quality, the reliability and the support they provide for their products.

- Does the product work properly as was stated by the manufacturer?
- Is the product worth the price paid for it?
- Is the product still reliable after years of use?

- Is there a reliable after sales support organization, able to directly respond to end-user requests from anywhere around the world?

**If the product is a Lofrans', the answer to these questions is definitely YES.**

We do not say this by ourselves, but it is said by the thousands and thousands of our satisfied customers all over the world who chose our products, making Lofrans' today the most popular manufacturer of anchor windlasses.

This important result is more than anything a testimony of the quality of our product and the great reputation of the Lofrans' brand globally.

# X Series & SX Series

## VERTICAL WINDLASSES

The X & SX vertical windlass range series is designed to provide anchoring solutions for sail and motor boats from 18 to 100 feet. The X series as standard, comes in mirror polished marine bronze produced by hot forging and it is made up by the following models: X1, X2, X3, X4 and Ercole Verticale. All X series windlasses are available in standard version with drum and in low profile version.

The SX Series is the new, round base vertical windlass and consists of the models SX1, SX2, SX3, SX3.5, SX4 and SX5. The SX Series is constructed with marine stainless steel AISI 316L to make sure the windlass is corrosion free. In addition the round base designs offers a more compact structure. All SX series windlasses are available in standard version with drum and in low profile version, except the SX1 (only low profile).

All models are available in different motorization to meet all customers' requirements.

The ranges X4 to Ercole Verticale, from X Series, and SX4 to SX5, from SX Series, have been designed to be installed in yachts with a length of more than 55ft. These yachts require well-designed professional equipment, with a high mechanical performance and a high level of reliability.

With a purpose-built gearbox design, giving them top performance in terms of maximum pull and speed, these models are a reference point in their category. Lofrans' has achieved an excellent reputation for these specific anchor windlasses, which are installed on the most prestigious yachts throughout the world.

### INNOVATIVE SOLUTIONS

- Watertight stainless steel ball bearings in the base, in order to have maintenance-free top performance functionality.
- Clutch consisting of two conical discs, fitted on to the main shaft by two flat parallel planes on the shaft, thus avoiding the use of keys and spreading the load on a wider surface.
- The X series as standard is provided with a pre-fitted sensor in the base and a magnet in the Gypsy, in order to be connected to an optional chain counter system.
- Models X1, X2 and X3 have a Gypsy designed to manage both rope and chain
- Independent drum rotation from Gypsy, for warping operation.
- Manual override, enabling the windlass to recover the chain and anchor in the event of electrical failure. The manual override mechanism is within the gearbox, made up by a spring loaded ratchet, whose secondary function is to provide a safety mechanism so that chain jams do not damage the deck.

### DC, AC OR HYDRAULIC?

The windlass can be supplied in three different ways of motorization: direct current, alternate current and hydraulic.

- D.C. motorization is the most popular for reliability. The maintenance is very limited and this kind of electric motor is used for vessels up to 90 feet of length.
- A.C. motorization is the choice for boats from 90 up to 120 feet of length which have generators on board. A.C. motors offer good torque; they need a simple installation and limited maintenance.
- Hydraulic motorization gives the advantage of supply a constant torque while the load changes. They are very popular on boats of over 120 feet length. They need a specific installation.

### MAX PULL AND WORKING LOAD

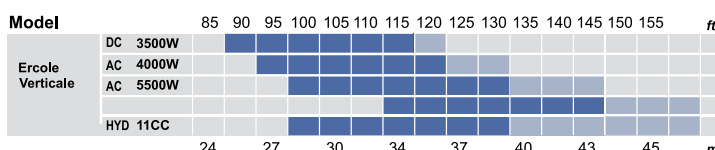
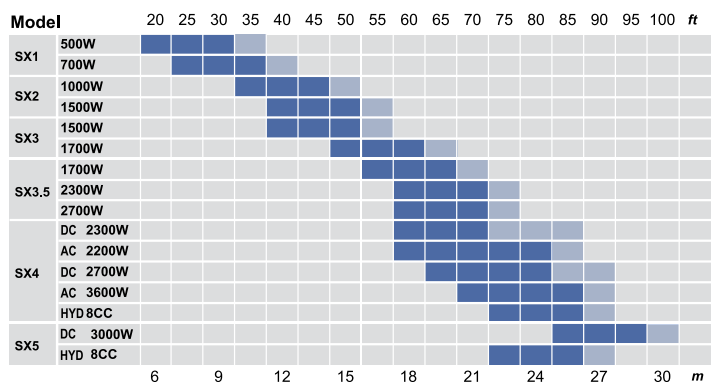
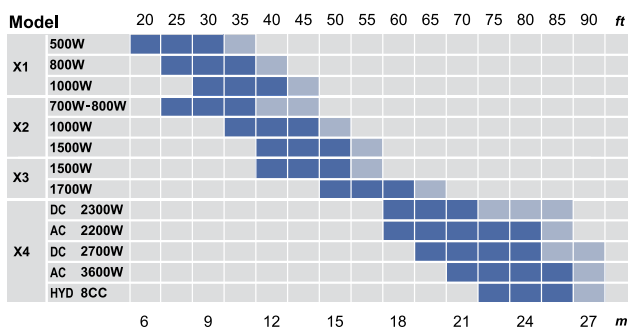
**Max pull** is the maximum pull that the windlass is able to supply for a few seconds.

**Working Load** is a load which simulates the operating conditions. This load is the reference for ampere drawing and the speed data indicated in the catalogue.

### PROPER WINDLASS SELECTION

The steps to select a vertical or horizontal windlass are:

- Select the proper model checking the chart - windlass model length of the boat.
- Calculate the ground tackle which is made by anchor weight, total chain and rope weight on board.
- Ground tackle not to exceed the working load with a tolerance + 10%.



■ Heavy ■ Light

# SX 1

**INOX Round Base**

## Stainless Steel - Vertical Windlass

**500W / 800W**



*Low profile*

### Main features

- Compact round base design
- Marine AISI 316L Stainless Steel construction
- Independent Gypsy and drum operation
- Manual chain release
- Chain counter magnet pre-installed as standard
- IP67 rated heavy duty electric motor
- Anodised marine aluminium gearbox

Construction	Stainless Steel	
	500 W	800 W
Motor size	500 W	800 W
Power Supply (V)	12	12
Maximum Pull (kg)	630	700
Working load (kg)	95	100
Amps at Working Load (A)	75	80
Line Speed at Working Load (m/min)	23	25
Max Line Speed (m/min)	26	28
Net Weight Low Profile (kg)	11	13
Net Weight with Drum (kg)	12	14
Circuit Breaker (available separately)	636087	636088
Control Box	Included in package	

SX1		Code	Code
Low Profile	6 mm, ISO 4565 / DIN 766	636279	636281
	8 mm, ISO 4565 / DIN 766	*	636280

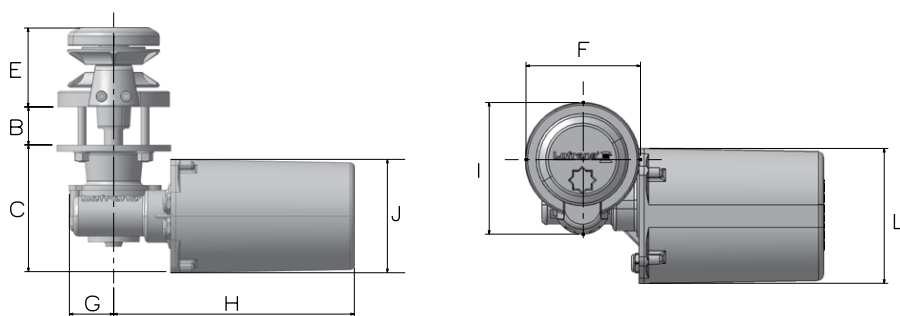
\*Non-standard configuration optional gypsies can be supplied separately. Please refer to compatible gypsies table.

### Compatible Gypsies



Code	Gypsy Size
630970	6 mm, ISO 4565 / DIN 766
630980	7 mm, ISO 4565
630999	8 mm, ISO 4565 / DIN 766

### Dimensions in mm



Model	B	C	E	F	G	H	I	J	L
500W	10-30	111	77	128	56	236	110	105	132
800W	10-30	150	77	128	62	236	110	134	165

### Optional Accessories

- Foot Switch
- Control Switch
- Circuit Breaker
- Chain Counter
- Hand Held Control
- Radio Control



Please refer to accessories section for control and installation products (see pages 52-61)



# X1

## - Vertical Windlass

500W / 800W / 1000W



*With Drum*



*Low profile*

**Main features**

- Luxury chrome bronze base and drum
- With drum or Low profile
- Independent Gypsy and drum operation
- Rope and chain combination Gypsy
- Manual chain release
- Rope chain management by the spring loaded arm
- Chain counter magnet pre-installed as standard
- IP67 rated heavy duty electric motor
- Anodised marine aluminium gearbox

Construction	Aluminium		Chromed bronze	
Motor size	500 W	500 W	800 W	1000 W
Power Supply (V)	12	12	12	12
Maximum Pull (kg)	630	630	700	900
Working load (kg)	95	95	100	125
Amps at Working Load (A)	75	75	80	120
Line Speed at Working Load (m/min)	23	23	25	18
Max Line Speed (m/min)	26	26	28	30
<b>Net Weight Low Profile (kg)</b>	10	11	13	16
<b>Net Weight with Drum (kg)</b>	11	12	14	17
Circuit Breaker (available separately)	187331	187331	187332	187333
<b>Control Box</b>	Included in package			

X1			Code	Code	Code	Code
With Drum	6 mm, ISO 4565 / DIN 766	10-12 mm, 3-strand	409558	472881	473207	*
	8 mm, ISO 4565 / DIN 766	12 mm, 3-strand	*	187270	473003	600092
Low Profile	6 mm, ISO 4565 / DIN 766	10-12 mm, 3-strand	409557	472880	473217	*
	8 mm, ISO 4565 / DIN 766	12 mm, 3-strand	*	187269	473002	600093

*\*Non-standard configuration optional gypsies can be supplied separately. Please refer to compatible gypsies table on next page.*





Finger

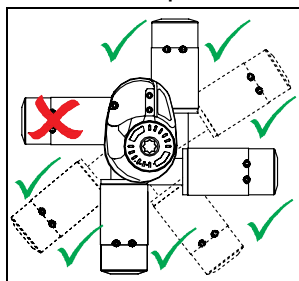


Lofrans' designed marine aluminum gearbox



IP67 rated heavy duty electric motor

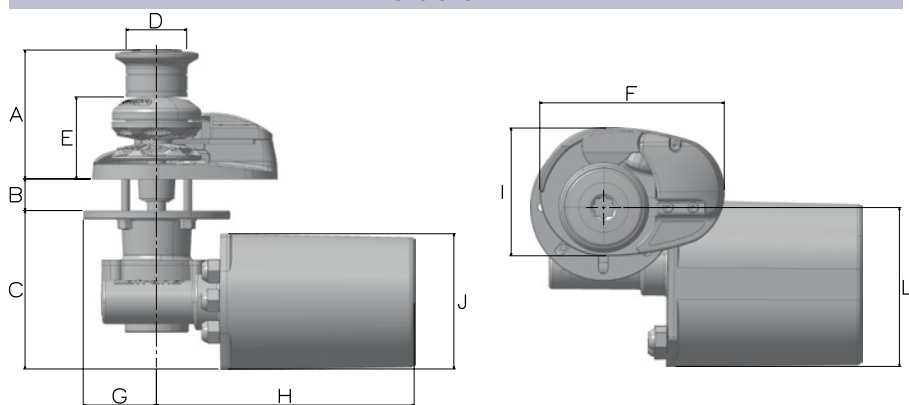
Installation positions



Standard Equipment:

- Dual direction solenoid pack
- Handle
- Gypsy for chain
- CD / Instruction manual

Dimensions in mm



Model	A	B	C	D	E*	F	G	H	I	J	L
500W	130	10-30	111	Ø60	84	183	56	236	127	105	132
800W	130	10-30	111	Ø60	84	183	56	236	127	105	132
1000W	130	10-30	150	Ø60	84	183	62	256	127	134	165

\*Low Profile height dimensions.

Compatible Gypsies



Code	Gypsy Size
630970	6 mm, ISO 4565 / DIN 766
630980	7 mm, ISO 4565
630999	8 mm, ISO 4565 / DIN 766

Compatible Chains



Code	Chain Size	Pack
72749	6 mm, ISO 4565 / DIN 766	30m
72751	8 mm, ISO 4565 / DIN 766	30m

More available packs (see pages 59)

Optional Accessories

- Foot Switch
- Control Switch
- Circuit Breaker
- Chain Counter
- Hand Held Control
- Radio Control



**KEEP YOUR LOFRANS' AS GOOD AS NEW!**



Maintenance Kit for X1

Code....72037

Please refer to accessories section for control and installation products (see pages 52-61)

# SX2

INOX Round Base

Stainless Steel  
- Vertical Windlass  
1000W / 1500W




**Main features**

- Compact round base design
- Marine AISI 316L Stainless Steel construction
- With drum or Low profile
- Independent Gypsy and drum operation
- Manual chain release
- Chain counter magnet pre-installed as standard
- IP67 rated heavy duty electric motor
- Anodised marine aluminium gearbox

*With Drum*

Construction	Stainless Steel			
	1000 W		1500 W	
Motor size	12	24	12	24
Power Supply (V)	12	24	12	24
Maximum Pull (kg)	1000	1060	1200	1270
Working load (kg)	150	160	165	175
Amps at Working Load (A)	135	70	150	75
Line Speed at Working Load (m/min)	20	23	17	19
Max Line Speed (m/min)	40	40	40	40
Net Weight Low Profile (kg)	19	23	24	24
Net Weight with Drum (kg)	20	24	25	25
Circuit Breaker (available separately)	636089	636088	636090	636088
Control Box	Included in package			

SX2		Code	Code	Code	Code
With Drum	8 mm, ISO 4565 / DIN 766	636283	*	*	636285
Low Profile	8 mm, ISO 4565 / DIN 766	636282	*	*	636284

\*Non-standard configuration optional gypsies can be supplied separately. Please refer to compatible gypsies table on next page.

**3**  
Years Limited  
Warranty

**new**

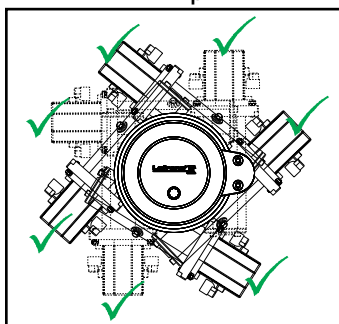


*Low profile*

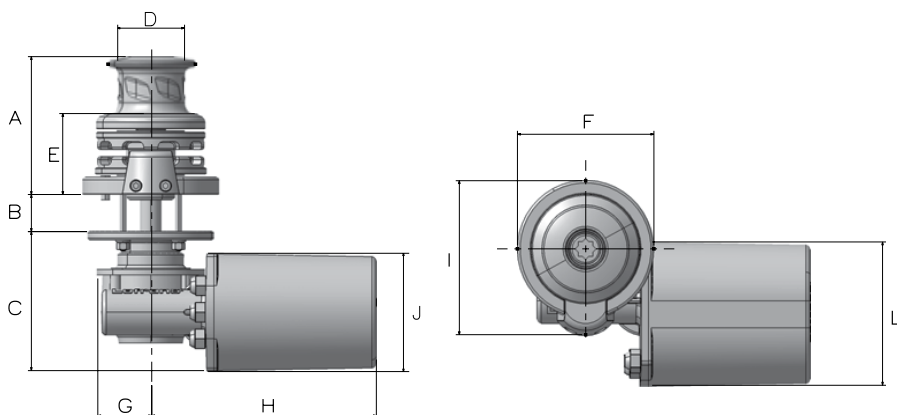
**Standard Equipment:**

- Dual direction solenoid pack
- Handle
- Gypsy for chain
- CD / Instruction manual

**Installation positions**



*Dimensions in mm*



Model	A	B	C	D	E*	F	G	H	I	J	L
1000W	159	25-40	155	77	93	177	73	260	157	134	165
1500W	159	25-40	155	77	93	177	73	260	157	134	165

\*Low Profile height dimensions.

**Compatible Gypsies**



Code	Gypsy Size
630953	6 mm, ISO 4565 / DIN 766
630949	8 mm, ISO 4565 / DIN 766
630951	10mm, ISO 4565
630955	10mm, / DIN 766

**Compatible Chains**



Code	Chain Size	Pack
72749	6 mm, ISO 4565 / DIN 766	30m
72751	8 mm, ISO 4565 / DIN 766	30m
72753	10mm, ISO 4565	120m
72319	10mm, / DIN 766	30m

More available packs (see pages 59)

**Chain Stopper**

**new**



636257  
LOFRANS' Chain stopper, stainless steel, for ISO/DIN chain 8/10/12mm

**Optional Accessories**

- Foot Switch
- Control Switch
- Circuit Breaker
- Chain Counter
- Hand Held Control
- Radio Control



**Chain Pipe**

**new**



636311  
LOFRANS' Chain Pipe of SX2 & SX3

Please refer to accessories section for control and installation products (see pages 52-61)



# X2

## - Vertical Windlass

700W / 800W / 1000W / 1500W



### Main features

- Luxury chrome bronze base and drum
- Special watertight stainless steel ball bearing in the base
- With drum or Low profile
- Independent Gypsy and drum operation
- Rope and chain combination Gypsy
- Manual chain release
- Manual override available for chromed bronze models only
- Rope chain management by the spring loaded arm
- Chain counter magnet pre-installed as standard
- IP67 rated heavy duty electric motor
- Anodised marine aluminium gearbox

*With Drum*

Construction	Aluminium						Chromed bronze					
	700W	800W	1000 W	1500 W	700W	800W	1000 W	1500 W	700W	800W	1000 W	1500 W
Motor size	24	12	12	24	12	24	24	12	12	24	12	24
Power Supply (V)	24	12	12	24	12	24	24	12	12	24	12	24
Maximum Pull (kg)	750	850	1000	1060	1200	1270	750	850	1000	1060	1200	1270
Working load (kg)	105	115	150	160	165	175	105	115	150	160	165	175
Amps at Working Load (A)	45	90	135	70	150	75	45	90	135	70	150	75
Line Speed at Working Load (m/min)	26	26	20	23	17	19	26	26	20	23	17	19
Max Line Speed (m/min)	35	35	40	40	40	40	35	35	40	40	40	40
Net Weight Low Profile (kg)	18	18	19	23	24	24	21	21	23	23	24	24
Net Weight with Drum (kg)	19	19	20	24	25	25	23	23	24	24	25	25
Circuit Breaker (available separately)	187331	187332	187333	187332	187333	187332	187331	187332	187333	187332	187333	187332
Control Box	Included in package											

X2			Code	Code	Code	Code	Code	Code	Code	Code	Code	Code	Code	Code	
With Drum	6 mm, ISO 4565 / DIN 766	-	*	600044	600049	*	*	*	601022	600046	600997	*	*	*	
	8 mm, ISO 4565 / DIN 766	14 mm, 3-strand	*	472735	472751	472750	600057	600061	601024	472862	473212	473255	*	*	
	10 mm, DIN 766	-	*	*	*	*	*	601068	*	*	602096	473227	187274	187276	
	10 mm, ISO 4565	-	*	*	600053	*	600056	600060	*	*	472863	*	601013	601044	
Low Profile	6 mm, ISO 4565 / DIN 766	-	602111	600045	600050	*	*	*	601016	600047	600989	*	*	*	
	8 mm, ISO 4565 / DIN 766	14 mm, 3-strand	*	472558	472557	*	*	601065	601018	472861	473213	600054	*	*	
	10 mm, DIN 766	-	*	*	*	*	*	601055	601067	*	*	602097	473226	187273	601041
	10 mm, ISO 4565	-	*	*	57450	*	601054	601066	*	*	472864	478642	601008	602529	

\*Non-standard configuration optional gypsies can be supplied separately. Please refer to compatible gypsies table on next page.

**3**  
Years Limited  
Warranty

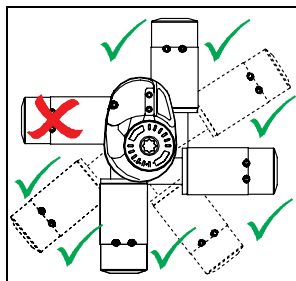


*Low profile*

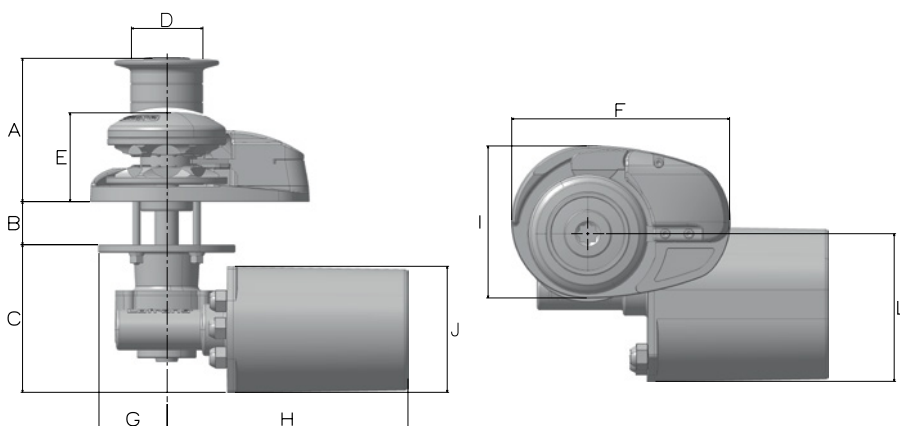
**Standard Equipment:**

- Dual direction solenoid pack
- Handle
- Gypsy for chain
- CD / Instruction manual

**Installation positions**



*Dimensions in mm*



Model	A	B	C	D	E*	F	G	H	I	J	L
700W 800W	153	25-40	155	Ø76	95	232	73	260	162	134	165
1000W	153	25-40	155	Ø76	95	232	73	260	162	134	165
1500W	153	25-40	155	Ø76	95	232	73	260	162	134	165

\*Low Profile height dimensions.

**Compatible Gypsies**



Code	Gypsy Size
630953	6 mm, ISO 4565 / DIN 766
630949	8 mm, ISO 4565 / DIN 766
630951	10mm, ISO 4565
630955	10mm, / DIN 766

**Chain Stopper**



636257  
LOFRANS' Chain stopper, stainless steel, for ISO/DIN chain 8/10/12mm

**Optional Accessories**

- Foot Switch
- Control Switch
- Circuit Breaker
- Chain Counter
- Hand Held Control
- Radio Control



**KEEP YOUR LOFRANS' AS GOOD AS NEW!**



**Maintenance Kit for X2**

Code....72038

**Maintenance Kit for X2 ALU**

Code....72039



Please refer to accessories section for control and installation products (see pages 52-61)

# SX3

*INOX Round Base*

## - Vertical Windlass

*Stainless Steel*  
**1500W / 1700W**




**Main features**

- Compact round base design
- Marine AISI 316L Stainless Steel construction
- With drum or Low profile
- Independent Gypsy and drum operation
- Manual chain release
- Chain counter magnet pre-installed as standard
- IP67 rated heavy duty electric motor
- Anodised marine aluminium gearbox

*With Drum*

Construction	Stainless Steel		
	1500W	1700 W	
Motor size			
Power Supply (V)	12	12	24
Maximum Pull (kg)	1200	1600	1695
Working load (kg)	165	200	215
Amps at Working Load (A)	150	180	90
Line Speed at Working Load (m/min)	17	14	15
Max Line Speed (m/min)	40	32	32
Net Weight Low Profile (kg)	32	35	35
Net Weight with Drum (kg)	35	38	38
Circuit Breaker (available separately)	636089	636091	636088
Control Box	Included in package		

SX3		Code	Code	Code
With Drum	10 mm, DIN 766	*	*	636288
	12 mm, ISO 4565 / 13mm, DIN 766	*	*	636287
Low Profile	10 mm, ISO 4565	636289	*	*
	12 mm, ISO 4565 / 13mm, DIN 766	*	*	636286

*\*Non-standard configuration optional gypsies can be supplied separately. Please refer to compatible gypsies table on next page.*

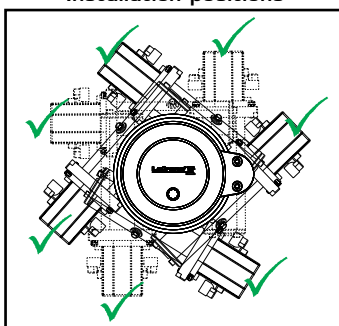


Low profile

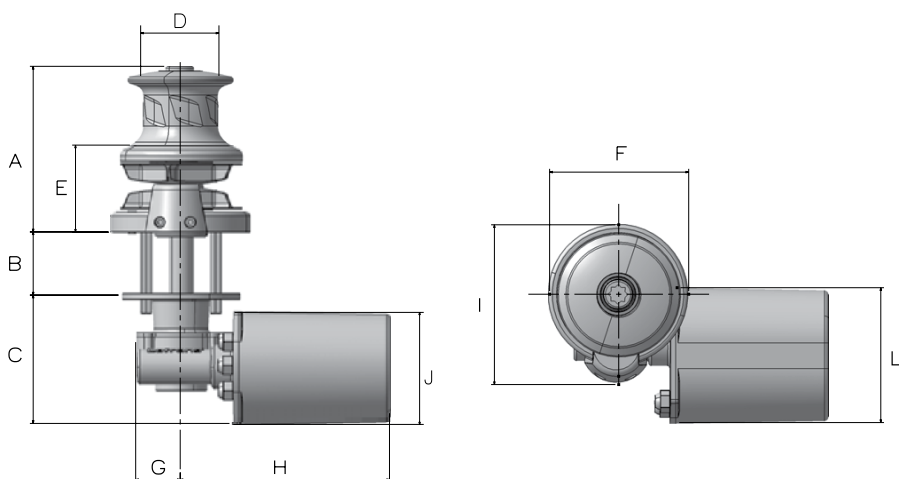
**Standard Equipment:**

- Dual direction solenoid pack
- Handle
- Gypsy for chain
- CD / Instruction manual

**Installation positions**



**Dimensions in mm**



Model	A	B	C	D	E*	F	G	H	I	J	L
1500W	196	50-70	155	89	107	192	80	255	170	134	145
1700W	196	50-70	155	89	107	192	80	300	170	127	140

\*Low Profile height dimensions.

**Compatible Gypsies**



Code	Gypsy Size
630957	8 mm, ISO 4565 / DIN 766
630966	10mm, / DIN 766
630959	10mm, ISO 4565
630961	12mm, ISO 4565

**Compatible Chains**



Code	Chain Size	Pack
72751	8 mm, ISO 4565 / DIN 766	30
72314	10mm, / DIN 766	120
72753	10mm, ISO 4565	30
72755	12mm, ISO 4565	50

More available packs (see pages 59)

**Chain Stopper**



636257

LOFRANS' Chain stopper, stainless steel, for ISO/DIN chain 8/10/12mm

**Optional Accessories**

- Foot Switch
- Control Switch
- Circuit Breaker
- Chain Counter
- Hand Held Control
- Radio Control



**Chain Pipe**



636311

LOFRANS' Chain Pipe of SX2 & SX3

Please refer to accessories section for control and installation products (see pages 52-61)



# X3 - Vertical Windlass

1500W / 1700W



With Drum

**Main features**

- Luxury chrome bronze base and drum
- With drum or Low profile
- Independent Gypsy and drum operation
- Rope and chain combination Gypsy
- Manual chain release
- Manual override available for chromed bronze models only
- Rope chain management by the spring loaded arm
- Chain counter magnet pre-installed as standard
- IP66 rated heavy duty electric motor
- Anodised marine aluminium gearbox

Construction	Aluminium		Chromed bronze	
	1700W	1500W	1700 W	
Motor size	12	12	12	24
Power Supply (V)	12	12	12	24
Maximum Pull (kg)	1600	1200	1600	1695
Working load (kg)	200	165	200	215
Amps at Working Load (A)	180	150	180	90
Line Speed at Working Load (m/min)	14	17	14	15
Max Line Speed (m/min)	32	40	32	32
Net Weight Low Profile (kg)	32	32	35	35
Net Weight with Drum (kg)	35	35	38	38
Circuit Breaker (available separately)	187334	187333	187334	187332
Control Box	Included in package			

X3			Code	Code	Code	Code
With Drum	8 mm, ISO 4565 / DIN 766	14 mm, 3-strand	57451	601079	600064	600068
	10 mm, DIN 766	16 mm, 3-strand	57452	*	602101	602103
	10 mm, ISO 4565	16 mm, 3-strand	*	472865	473208	473252
	12 mm, ISO 4565 / 13mm, DIN 766	18 mm, 3-strand	57453	601084	473004	473005
Low Profile	8 mm, ISO 4565 / DIN 766	14 mm, 3-strand	601128	601070	600065	*
	10 mm, DIN 766	16 mm, 3-strand	*	*	602102	602104
	10 mm, ISO 4565	16 mm, 3-strand	601129	472866	473209	473256
	12 mm, ISO 4565 / 13mm, DIN 766	18 mm, 3-strand	*	601075	472842	473006

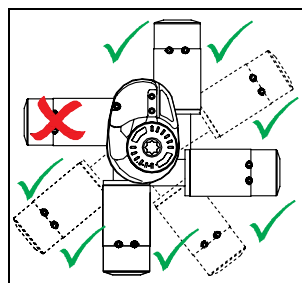
\*Non-standard configuration optional gypsies can be supplied separately. Please refer to compatible gypsies table on next page.





*Low profile*

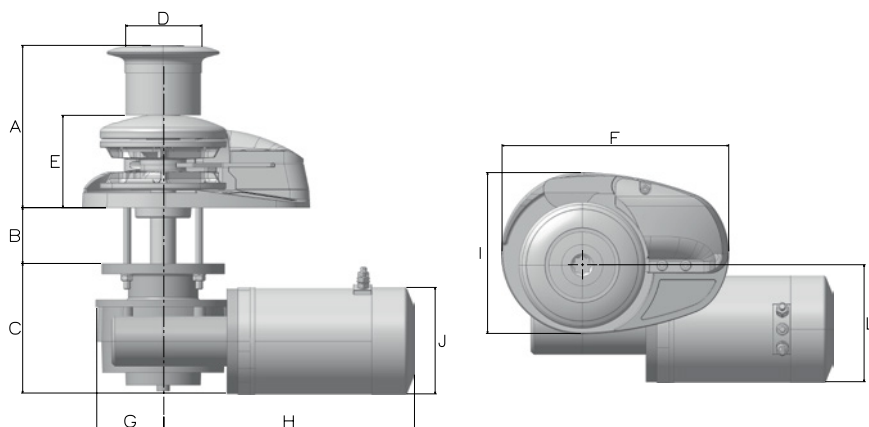
**Installation positions**



**Standard Equipment:**

- Dual direction solenoid pack
- Handle
- Gypsy for chain
- CD / Instruction manual

*Dimensions in mm*



Model	A	B	C	D	E*	F	G	H	I	J	L
1500W	195	50-70	155	Ø92	110	270	80	255	192	134	145
1700W	195	50-70	155	Ø92	110	270	80	300	192	Ø127	140

\*Low Profile height dimensions.

**Compatible Gypsies**



Code	Gypsy Size
630957	8 mm, ISO 4565 / DIN 766
630966	10mm, / DIN 766
630959	10mm, ISO 4565
630961	12mm, ISO 4565

**Chain Stopper**



72191  
LOFRANS' Chain stopper, stainless steel, for normal chain 12/13/14mm

**Optional Accessories**

- Foot Switch
- Control Switch
- Circuit Breaker
- Chain Counter
- Hand Held Control
- Radio Control



**KEEP YOUR LOFRANS' AS GOOD AS NEW!**



**Maintenance Kit for X3, X3ALU**

Code....72040

Please refer to accessories section for control and installation products (see pages 52-61)

# SX3.5

*INOX Round Base*

*Stainless Steel*  
- **Vertical Windlass**  
*1700W / 2300W / 2700W / Hydraulic*




*With Drum*

**Main features**

- Luxury stainless steel base and drum
- With drum or Low profile
- Independent Gypsy and drum operation
- Manual chain release
- Chain counter magnet pre-installed as standard
- Anodised marine aluminium gearbox
- Heavy duty electric motor

Construction	Stainless Steel				
	1700 W		2300 W	2700W	Hydraulic - 8cc
Motor size					
Power Supply (V)	12	24	24	24	-
Maximum Pull (kg)	1700	1700	1900	2000	2500
Working load (kg)	270	270	330	400	650
Amps at Working Load (A)	185	95	180	210	-
Line Speed at Working Load (m/min)	15	16	16	16	16
Max Line Speed (m/min)	37	37	35	35	16
Net Weight Low Profile (kg)	50	50	60	60	55
Net Weight with Drum (kg)	48	48	58	58	60
Hydraulic Pressure (bar)	-	-	-	-	200
Hydraulic Flow (lt/min)	-	-	-	-	32
Circuit Breaker (available separately)	187334	187332	187333	187333	-
Control Box	Included in package				-

SX3.5		Code	Code	Code	Code	Code
With Drum	10 mm, ISO 4565	600084	600085	*	*	*
	12 mm, ISO 4565 / 13mm, DIN 766	600086	600087	600088	*	*
	14 mm	*	*	*	600090	*
Low Profile	12 mm, ISO 4565 / 13mm, DIN 766	635984	635985	635986	636099	*
	14 mm	*	*	*	*	636208

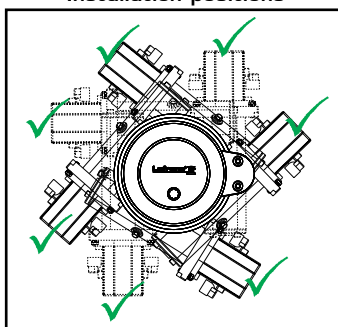
*\*Non-standard configuration optional gypsies can be supplied separately. Please refer to compatible gypsies table on next page.*



**3**  
Years Limited  
Warranty

*Low profile*

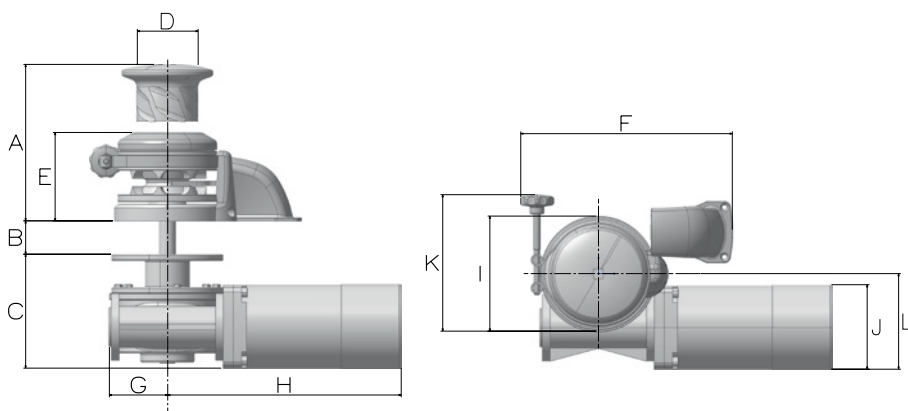
**Installation positions**



**Standard Equipment:**

- Handle
- Gypsy for chain
- CD / Instruction manual

*Dimensions in mm*



Model	A	B	C	D	E*	F	G	H	I	J	K	L
1700W	281	40-60	208	Ø110	159	380	80	300	Ø190	Ø127	237	140
2300W	281	40-60	208	Ø110	159	380	105	420	Ø190	Ø150	237	175
2700W	281	40-60	208	Ø110	159	380	105	420	Ø190	Ø150	237	175

\*Low Profile height dimensions.

\*\* For Hydraulic version dimensions please see page 64

**Compatible Gypsies**



Code	Gypsy Size
631022	10mm, ISO 4565
631132	10mm,
631045	13mm / DIN 766
631059	14mm
631033	1/2" BBB
631036	1/2" G40

**Chain Stopper**



72191  
LOFRANS' Chain stopper, stainless steel, for normal chain 12/13/14mm

**Optional Accessories**

- Foot Switch
- Control Switch
- Circuit Breaker
- Chain Counter
- Hand Held Control
- Radio Control



**Chain Pipe**



636312  
LOFRANS' Chain Pipe of SX3.5



Please refer to accessories section for control and installation products (see pages 52-61)

# SX4

INOX Round Base

Stainless Steel  
Vertical Windlass  
2300W / 2700W / Hydraulic - 8cc




**Main features**

- Compact round base design
- Marine AISI 316L Stainless Steel construction
- With drum or Low profile
- Independent Gypsy and drum operation
- Manual chain release
- Chain counter magnet pre-installed as standard
- IP67 rated heavy duty electric motor
- Anodised marine aluminium gearbox

*With Drum*

Construction	Stainless Steel		
Motor size	2300 W	2700W	Hydraulic - 8cc
Power Supply (V)	24	24	-
Maximum Pull (kg)	2100	2500	2500
Working load (kg)	500	530	650
Amps at Working Load (A)	160	170	-
Line Speed at Working Load (m/min)	13	13	16
Max Line Speed (m/min)	25	28	16
Net Weight Low Profile (kg)	72	75	55
Net Weight with Drum (kg)	82	85	60
Hydraulic Pressure (bar)	-	-	200
Hydraulic Flow (lt/min)	-	-	32
Circuit Breaker (available separately)	636090	636091	-
Control Box	Included in package		-

SX4		Type**	Code	Code	Code
With Drum	12 mm, ISO 4565 / 13mm, DIN 766	cw	636290	636291	636295
Low Profile	12 mm, ISO 4565 / 13mm, DIN 766	ccw	636292	639293	639294

\*Non-standard configuration optional gypsies can be supplied separately. Please refer to compatible gypsies table on next page.

\*\* cw: the windlass pulls clockwise ccw: the windlass pulls counter clockwise

### Compatible Gypsies



Code	Gypsy Size
630996	8 mm, ISO 4565 / DIN 766
631022	10mm, ISO 4565
631132	10mm, / DIN 766
631031	12mm, ISO 4565 / 13mm, DIN 766
631059	14mm
631033	1/2" BBB
631036	1/2" G40 HT

### Compatible Chains



Code	Chain Size	Pack
72314	10mm, / DIN 766	120
72753	10mm, ISO 4565	30
72755	12mm, ISO 4565	50
72408	14mm, ISO 4565 / DIN 766	200

*More available packs (see pages 59)*

### Chain Stopper



72191  
LOFRANS' Chain stopper, stainless steel, for normal chain 12/13/14mm

### Optional Accessories

- Foot Switch
- Control Switch
- Circuit Breaker
- Chain Counter
- Hand Held Control
- Radio Control



### Chain Pipe



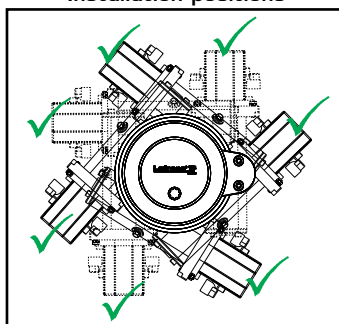
636313  
LOFRANS' Chain Pipe of SX4

*Please refer to accessories section for control and installation products (see pages 52-61)*



*Low profile*

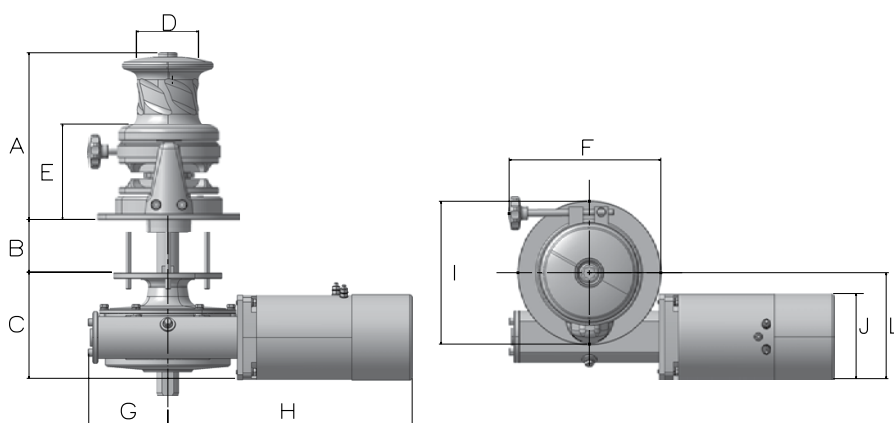
### Installation positions



### Standard Equipment:

- Dual direction solenoid pack
- Handle
- Gypsy for chain
- CD / Instruction manual

### Dimensions in mm



Model	A	B	C	D	E*	F	G	H	I	J	L
2300W	289	60-130	200	110	170	264	140	449	255	152	190
2700W	289	60-130	200	110	170	264	140	449	255	152	190

\* Low Profile height dimensions.

\*\* For Hydraulic version dimensions please see page 64



# X4

## - Vertical Windlass

2300W / 2700W / Hydraulic - 8cc




### Main features

- Luxury chrome bronze base and drum
- With drum or Low profile
- Independent Gypsy and drum operation
- Manual chain release
- Manual override
- Chain counter magnet pre-installed as standard
- Anodised marine aluminium gearbox
- Heavy duty electric motor

*With Drum*

Construction	Chromed bronze		
Motor size	2300 W	2700W	Hydraulic - 8cc
Power Supply (V)	24	24	-
Maximum Pull (kg)	2100	2500	2500
Working load (kg)	500	530	650
Amps at Working Load (A)	160	170	-
Line Speed at Working Load (m/min)	13	13	16
Max Line Speed (m/min)	25	28	16
<b>Net Weight Low Profile (kg)</b>	72	75	55
<b>Net Weight with Drum (kg)</b>	82	85	60
Hydraulic Pressure (bar)	-	-	200
Hydraulic Flow (lt/min)	-	-	32
Circuit Breaker (available separately)	187333	187334	-
Control Box	Included in package		-

X4		Type**	Code	Code	Code
With Drum	10 mm, ISO 4565	cw	600073	*	*
	12 mm, ISO 4565 / 13mm, DIN 766	cw	473007	600075	602361
	14 mm	cw	*	472849	602362
	12 mm, ISO 4565 / 13mm, DIN 766	ccw	600074	*	602363
	14 mm	ccw	*	*	602364
Low Profile	12 mm, ISO 4565 / 13mm, DIN 766	ccw	601142	601159	*

\*Non-standard configuration optional gypsies can be supplied separately. Please refer to compatible gypsies table on next page.

\*\* cw: the windlass pulls clockwise ccw: the windlass pulls counter clockwise

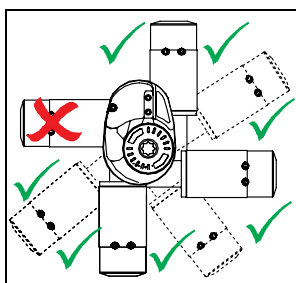


### Low profile

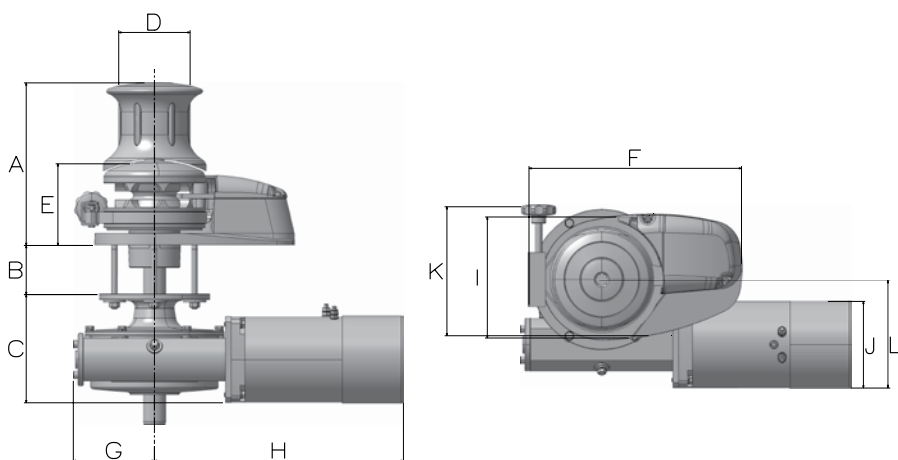
#### Standard Equipment:

- Dual direction solenoid pack
- Handle
- Gypsy for chain
- CD / Instruction manual

#### Installation positions



#### Dimensions in mm



Model	A	B	C	D	E*	F	G	H	I	J	K	L
2300W	285	60-130	200	Ø125	150	380	140	449	220	Ø152	240	190
2700W	285	60-130	200	Ø125	150	380	140	449	220	Ø152	240	190
3000W	285	60-130	200	Ø125	150	380	140	449	220	Ø152	240	190

\* Low Profile height dimensions.

\*\* For Hydraulic version dimensions please see page 64

### Compatible Gypsies



Code	Gypsy Size
630996	8 mm, ISO 4565 / DIN 766
631022	10mm, ISO 4565
631132	10mm, / DIN 766
631031	12mm, ISO 4565 / 13mm, DIN 766
631059	14mm
631033	1/2" BBB
631036	1/2" G40 HT

### Kits

Code	Description
474013	KIT A - Seals
474012	KIT B - Screws
474011	KIT C - Pins
474010	KIT D - Circlips

### Chain Stopper



72191  
LOFRANS' Chain stopper, stainless steel, for normal chain 12/13/14mm

### Optional Accessories

- Foot Switch
- Control Switch
- Circuit Breaker
- Chain Counter
- Hand Held Control
- Radio Control



Please refer to accessories section for control and installation products (see pages 52-61)



# SX5 - Vertical Windlass


*INOX Round Base* *Stainless Steel*  
*3000W / Hydraulic*



**Main features**

- Luxury stainless steel base and drum
- Independent Gypsy and drum operation
- Manual chain release
- Manual override
- Chain counter magnet pre-installed as standard
- Anodised marine aluminium gearbox
- Heavy duty electric motor

*With Drum*

Construction	316 L Stainless Steel			
Motor size	3000 W	Hydraulic - 8cc		
Power Supply (V)	24	-		
Maximum Pull (kg)	2800	2500		
Working load (kg)	760	680		
Amps at Working Load (A)	210	-		
Line Speed at Working Load (m/min)	17	21		
Max Line Speed (m/min)	33	21		
Net Weight with Drum (kg)	100	85		
Hydraulic Pressure (bar)	-	200		
Hydraulic Flow (lt/min)	-	32		
Control Box	Included in package			
SX5		Type**	Code	Code
With Drum	12 mm, ISO 4565 / 13mm, DIN 766	cw	600089	602389
	14 mm	cw	600091	602390
Low Profile	12 mm, ISO 4565 / 13mm, DIN 766	cw	636296	*

\*Non-standard configuration optional gypsies can be supplied separately. Please refer to compatible gypsies table on next page.



**3**  
Years Limited  
Warranty

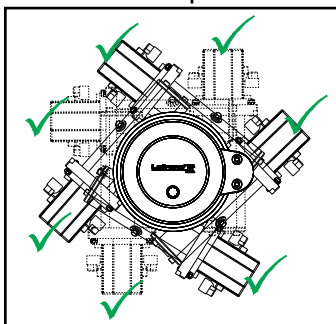


*Low profile*

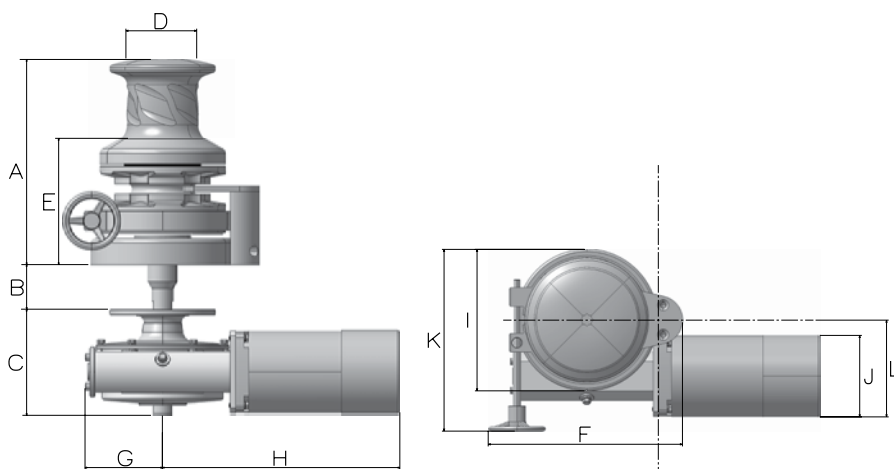
**Standard Equipment:**

- Dual direction solenoid pack
- Handle
- Gypsy for chain
- CD / Instruction manual

**Installation positions**



*Dimensions in mm*



Model	A	B	C	D	E*	F	G	H	I	J	K	L
3000W	385	60-90	200	Ø132	232	362	152	449	264	Ø152	339	190

\* Low Profile height dimensions.

\* For Hydraulic version dimensions please see page 64

**Compatible Gypsies**



Code	Gypsy Size
631039	12mm, ISO 4565 / 13mm, DIN 766
631065	14mm

**Compatible Chains**



Code	Chain Size	Pack
72755	12mm, ISO 4565	50
72408	14mm, ISO 4565 / DIN 766	200

More available packs (see pages 59)

**Chain Stopper**



72191  
LOFRANS' Chain stopper, stainless steel, for normal chain 12/13/14mm

**Optional Accessories**

- Foot Switch
- Control Switch
- Circuit Breaker
- Chain Counter
- Hand Held Control
- Radio Control



**Chain Pipe**



636314  
LOFRANS' Chain Pipe of SX5

Please refer to accessories section for control and installation products (see pages 52-61)

# ERCOLE VERTICAL

Stainless Steel

Round Base


3500W / 4000W / 5500W / 7500W

Hydraulic - 11cc



Chain pipe or roller

Construction	316 L Stainless Steel				
Motor size	3500 W	4000 W	5500 W	7500 W	Hydraulic - 11cc
Power Supply (V)	24	230-400	230-400	400	-
Maximum Pull (kg)	4500	2200	6500	7500	6500
Working load (kg)	705	565	1550	2000	1550
Amps at Working Load (A)	240	-	-	-	-
Line Speed at Working Load (m/min)	12	13	13	13	14
Max Line Speed (m/min)	20	13	13	13	14
Net Weight with Drum (kg)	180	180	200	225	165
Hydraulic Pressure (bar)	-	-	-	-	200
Hydraulic Flow (lt/min)	-	-	-	-	40
Control Box	Included in package	600096	600693	600699	-

ERCOLE VERTICALE		Type**	Code	Code	Code	Code	Code
With Drum	14 mm	cw	600080	600082	*	*	602523
	16 mm	cw	*	*	600409	*	602525
	17,5 STUD LINK	cw	*	*	*	636078	
	14 mm	ccw	600081	600083	*	*	602524
	16 mm	ccw	*	*	600408	*	602526
	17,5 STUD LINK	ccw	*	*	*	636079	

\*Non-standard configuration optional gypsies can be supplied separately. Please refer to compatible gypsies table on next page.

\*\* cw: the winlass pulls clockwise ccw: the winlass pulls counter clockwise

## Compatible Gypsies



Code	Gypsy Size
631019	10mm, ISO 4565
631039	12mm, ISO 4565 / 13mm, DIN 766
631065	14mm
631085	13mm. / DIN 764
631082	16mm
631088	16mm, / DIN 766
631101	18mm
631095	18mm, / DIN 766
631113	20mm
630989	14,5mm, UNI4417
631068	14 STUD LINK
631092	16 STUD LINK
631098	17,5 STUD LINK
631053	1/2" STUD LINK
631056	13 ITALMET

### Kits

Code	Description
418428	KIT A - Seals
418475	KIT B - Screws
418499	KIT C - Pins
418556	KIT D - Circlips

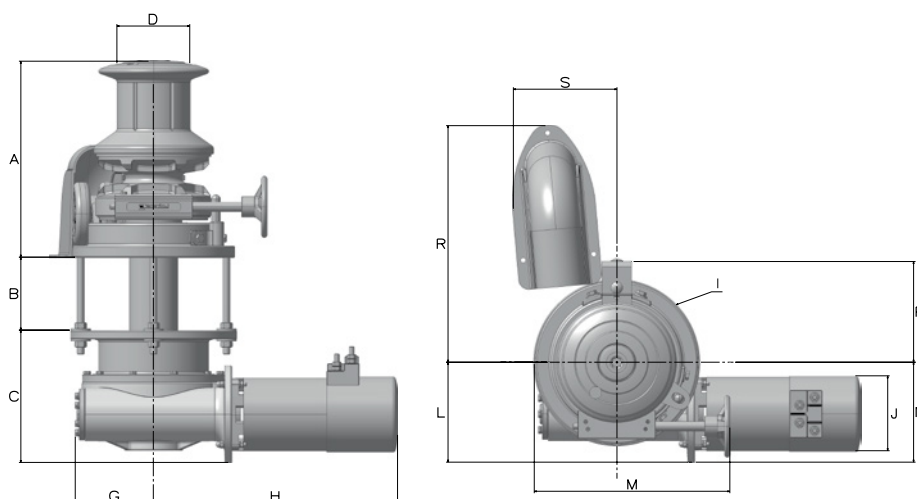
### Main features are:

- Under-deck compact dimensions.
  - Construction in mirror polished AISI 316L stainless steel.
  - High torque latest generation electric motor able to provide the power needed in all marine conditions.
  - Band brake to assist in chain control, thanks to an easy-to-manage large hand-wheel.
  - Special high-grip drum with independent rotation from the Gypsy, for warping function.
  - Independent Gypsy and drum operation
  - Manual chain release
  - Manual override to recover the chain and anchor in case of electrical failure.
  - Internal ratchet to prevent chain jams into the chain cocker which could damage the deck.
  - Chain counter support integrated by the sensor inserted in the base and the magnet in the Gypsy.
  - Available also in counter clockwise rotation.
  - High efficiency Lofrans planetary - worm screw gearbox made in anodized black aluminium with gears made in high mechanical strength material.
  - Heavy duty electric motor
  - Power: DC, AC and hydraulic
  - Available in custom versions.
- Please contact us for additional detailed documentation.

### Standard Equipment:

- Dual direction solenoid pack (only for 24V version)
- Handle
- Gypsy for chain
- CD / Instruction manual

### Dimensions in mm



Model	A	B	C	D	G	H	I	J	L	M	N	P	R	S
3500W														
4000W														
5500W	400	150	272	150	160	502	340	Ø158	205	405	220	205	min 490 - max 600	min 200 - max 230
7500W														

\* For Hydraulic version dimensions please see page 64

## Chain Stopper

Code...72192



Code...72191

See pages ???

## Optional Accessories

- Foot Switch
- Control Switch
- Circuit Breaker
- Chain Counter
- Hand Held Control
- Radio Control



Please refer to accessories section for control and installation products (see pages 52-61)

# HORIZONTAL WINDLASSES

The range of horizontal windlasses is suitable for boats from 18 up to 150 feet offering the best in performance and functionality, when there is adequate deck space or if the chain locker has limited size or accessibility. They are simple, reliable, with their classic and timeless style making them perfect for many vessels, especially for the charter business.

**Material and finish, marine grade aluminium alloy:** Our horizontal anchor windlasses are produced using marine grade aluminium alloy. The body is polished and anodised. Most of the components are made by hot forging. The horizontal models are available as standard in anodized aluminium. Some models are available with a painted white polyester coating.

**High performance motors:** The horizontal windlasses' electric motors have been designed to supply high torque in all working conditions. They are available in 12 or 24 Volt DC current and 230-440 V three phase AC current. Most of the motors have an IP66 rating with a galvanized body painted with a polyester coating. Our electric motors are specified to provide the necessary power for long run time. They are also designed to operate at an increased speed and so reducing operating time. Titan, Ercole and Super Ercole are also available in hydraulic motor versions.

**Lofrans gearboxes:** Most of our horizontal windlasses use a Lofrans-made high efficiency worm screw gearbox. It is non-reversible with the gears produced with specific material able to withstand high-load strain. All gearboxes are oil lubricated in order to minimize working noise. The models for superior boats use a special Lofrans planetary - worm screw gearbox which allows them to have a high efficiency to dimension ratio.

**Manual override:** Most of the Lofrans horizontal windlasses are supplied with manual override which makes the windlass capable of chain recovery in the event of electrical failure. The manual override has the secondary function to provide a safety mechanism so that chain jams do not damage the deck.

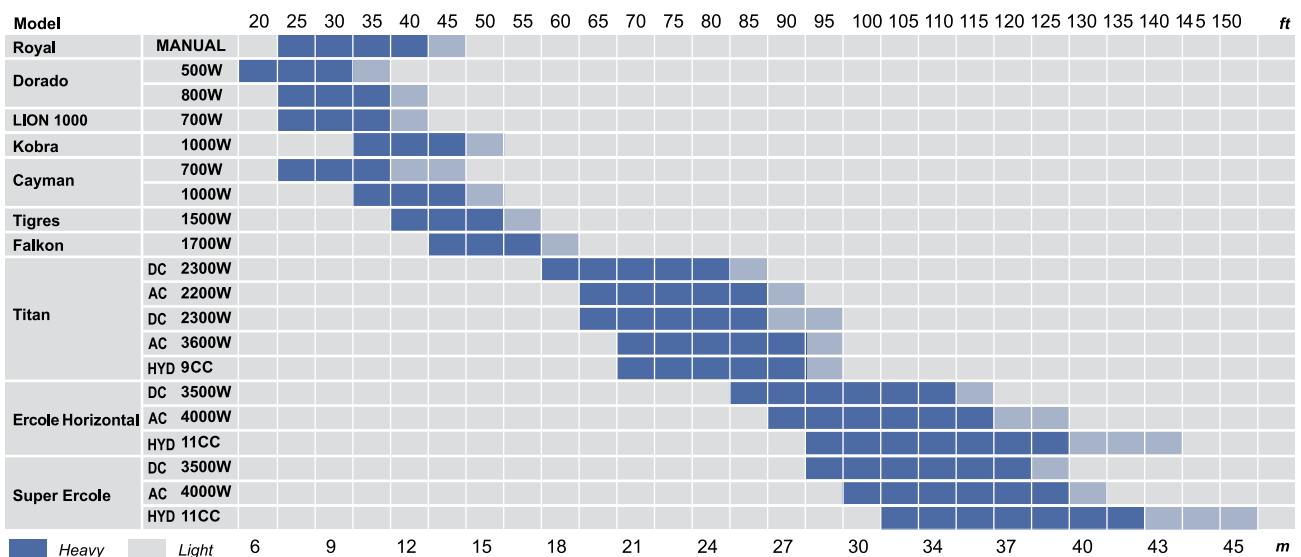
**Independent drum from the Gypsy:** Horizontal models give the choice of utilizing the drum for warping operations independently from the Gypsy.

**Automatic free fall:** Models KOBRA and CAYMAN can optionally have a device installed named AUTOMATIC FREE FALL. This device allows disengaging the clutch automatically by pushing the "Down" button of the remote control unit. Disengaging the clutch, the Gypsy rotates freely and the weight of the anchor releases the chain into the water.

**Rope and chain management:** Models DORADO and LION 1000 are able to manage rope and chain by use of a special spring loaded tension arm called a finger, which pushes the rope deeply inside the Gypsy teeth.

**CUSTOM PRODUCT:** Models TITAN, ERCOLE and SUPER ERCOLE are available in six versions in order to meet all customer requirements.

- STANDARD EQUIPMENT:**
- Dual direction solenoid pack
  - Handle
  - Gypsy for chain
  - CD / Instruction manual



# ROYAL - Horizontal Windlass


Manual



### Main features

- Marine alluminium anodised body
- Independent Gypsy and drum operation
- Manual chain release
- Manual override

Construction	Anodised Aluminium
<b>Motor size</b>	<b>MANUAL</b>
Power Supply (V)	-
Maximum Pull (kg)	400
Working load (kg)	50
Amps at Working Load (A)	-
Line Speed at Working Load (m/min)	-
Max Line Speed (m/min)	-
Net Weight with Drum (kg)	10

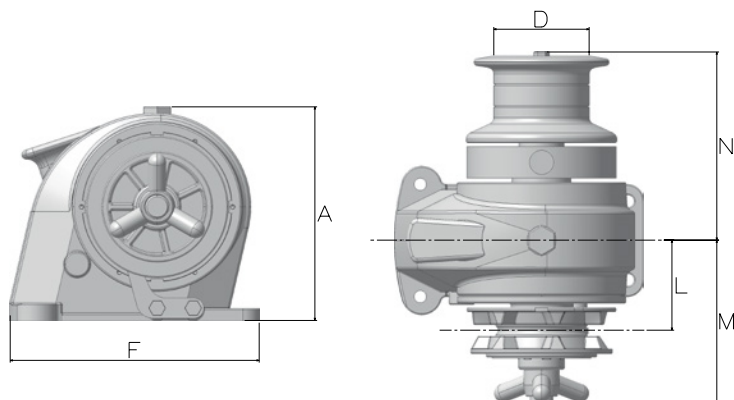
ROYAL		Code
With Drum	6 mm, ISO 4565 / DIN 766	187323
	7 mm, ISO 4565	600625
	8 mm, ISO 4565 / DIN 766	404725
	10 mm, DIN 766	600079
	10 mm, ISO 4565	220002

### Compatible Gypsies



Code	Gypsy Size
630968	6 mm, ISO 4565 / DIN 766
630978	7mm, ISO 4565
630994	8 mm, ISO 4565 / DIN 766
631118	10mm, DIN 766
631011	10mm, ISO 4565
631077	5/16 HT
631120	3/8 BBB
631122	3/8 PC

### Dimensions in mm



Model	A	D	F	L	M	N
Manual	192	Ø85	222	80	145	167



### Maintenance Kit for ROYAL

Code.....72046

Please refer to accessories section for control and installation products (see pages 52-61)

# LION 1000 - Horizontal Windlass



### Main features

- **Automatic free fall available (optional)\***
- White painted aluminium body
- Manual chain release
- Rope chain management by the spring load arm
- Chain counter magnet pre-setting as standard
- Heavy duty rated IP66 electric motor
- Control Box included in package

### Compatible Gypsies



Code	Gypsy Size
631005	6 mm, ISO 4565 / DIN 766
631007	7 mm, ISO 4565
631009	8 mm, ISO 4565 / DIN 766

### Compatible Chains



Code	Chain Size	Pack
72749	6 mm, ISO 4565 / DIN 766	30m
72751	8 mm, ISO 4565 / DIN 766	30m

More available packs (see pages 59)

### Optional Accessories

- Foot Switch
- Control Switch
- Circuit Breaker
- Chain Counter
- Hand Held Control
- Radio Control



Please refer to accessories section for control and installation products (see pages 52-61)

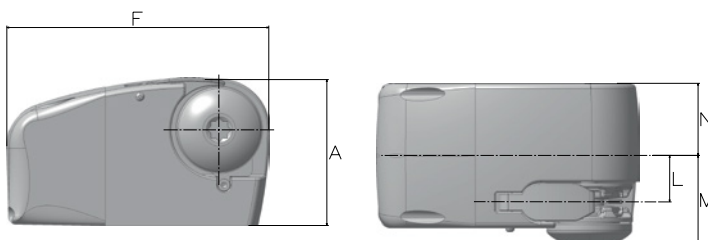
Construction	Anodised Aluminium
Motor size	700 W
Power Supply (V)	12
Maximum Pull (kg)	575
Working load (kg)	105
Amps at Working Load (A)	60
Line Speed at Working Load (m/min)	23
Max Line Speed (m/min)	26
Net Weight Low Profile (kg)	11
Control Box	Included in package

LION 1000			Code
Low Profile	6 mm, ISO 4565	10-12 mm, 3-strand	636214
	8 mm, ISO 4565 / DIN 766	12 mm, 3-strand	636215
	6 mm, ISO 4565	10-12 mm, 3-strand	636216*
	8 mm, ISO 4565 / DIN 766	12 mm, 3-strand	636217*

\*with automatic free fall installed

\*\*Non-standard configuration optional gypsies can be supplied separately.  
Please refer to compatible gypsies table

### Dimensions in mm



Model	A	F	L	M	N
700W	153	272	50	93	75

# DORADO - Horizontal Windlass

500W / 800W



Stern windlass support, SS316, with roller & flange



Code...72204

### Main features

- Marine aluminium anodised body
- Manual chain release
- Rope chain management by the spring load arm
- Heavy duty rated IP66 electric motor
- Automatic free fall available as option

### Compatible Gypsies



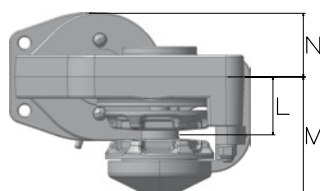
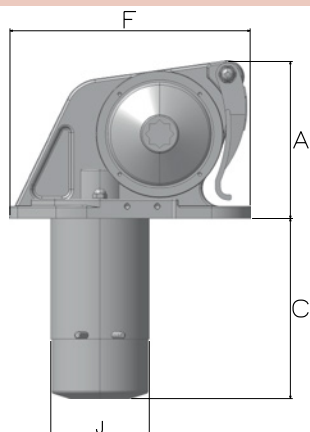
Code	Gypsy Size
630974	6 mm, ISO 4565 / DIN 766
630984	7mm, ISO 4565
631003	8 mm, ISO 4565 / DIN 766

Construction	Anodised Aluminium	
	500 W	800 W
Motor size	500 W	800 W
Power Supply (V)	12	12
Maximum Pull (kg)	630	900
Working load (kg)	95	125
Amps at Working Load (A)	65	80
Line Speed at Working Load (m/min)	18	20
Max Line Speed (m/min)	24	25
Net Weight Low Profile (kg)	10	11
Circuit Breaker (available separately)	187331	187332
Control Box	Included in package	

DORADO			Type	Code	Code
Low Profile	6 mm, ISO 4565	10-12 mm, 3-strand	Port	409568	600048
	8 mm, ISO 4565 / DIN 766	12 mm, 3-strand	Port	*	409569

\*Non-standard configuration optional gypsies can be supplied separately. Please refer to compatible gypsies table

### Dimensions in mm



Model	A	C	F	J	L	M	N
500W	130	152	200	Ø80	48	98	53
800W	130	164	200	Ø80	48	98	53

### Optional Accessories

- Foot Switch
- Control Switch
- Circuit Breaker
- Chain Counter
- Hand Held Control
- Radio Control



Maintenance Kit for DORADO

Code....72047

Please refer to accessories section for control and installation products (see pages 52-61)

# CAYMAN - Horizontal Windlass

700W / 1000W



### Main features (CAYMAN & KOBRA)

- Marine aluminium anodised body
- Independent Gypsy and drum operation
- Manual chain release
- Manual override
- Heavy duty rated IP66 electric motor
- Automatic free fall available as option

### Optional Accessories

- Foot Switch
- Control Switch
- Circuit Breaker
- Chain Counter
- Hand Held Control
- Radio Control



Construction	Anodised Aluminium		
	700 W	1000 W	1000 W
Motor size			
Power Supply (V)	12	12	24
Maximum Pull (kg)	1000	1250	1325
Working load (kg)	100	170	170
Amps at Working Load (A)	110	150	80
Line Speed at Working Load (m/min)	21	16	17
Max Line Speed (m/min)	32	32	33
Net Weight with Drum (kg)	24	25	25
Circuit Breaker (available separately)	187332	187333	187332
Control Box	Included in package		

### Compatible Chains



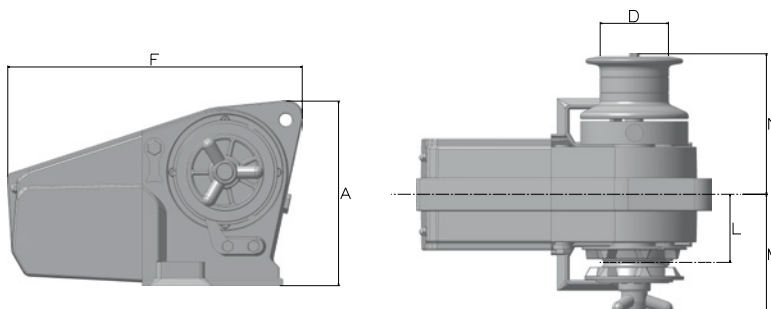
Code	Chain Size	Pack
72749	6 mm, ISO 4565 / DIN 766	30m
72751	8 mm, ISO 4565 / DIN 766	30m
72753	10mm, ISO 4565	120m
72319	10mm, / DIN 766	30m

More available packs (see pages 59)

CAYMAN		Code	Code	Code
With Drum	6 mm, ISO 4565 / DIN 766	600043	*	*
	8 mm, ISO 4565 / DIN 766	220273	220279	*
	10 mm, ISO 4565	*	419732	*
	10 mm, DIN 766	*	600165	600180

\*Non-standard configuration optional gypsies can be supplied separately.  
Please refer to compatible gypsies table

### Dimensions in mm



Model	A	D	F	L	M	N
700W	230	Ø85	370	85	150	175
1000W	230	Ø85	370	85	150	175



# KOBRA - Horizontal Windlass

1000W

## Compatible Gypsies



Code	Gypsy Size
630968	6 mm, ISO 4565 / DIN 766
630978	7 mm, ISO 4565
630994	8 mm, ISO 4565 / DIN 766
631118	10 mm, / DIN 766
631011	10 mm, ISO 4565
631120	3/8 BBB
631122	3/8 PC
631077	5/16 HT

**KEEP YOUR LOFRANS' AS GOOD AS NEW!**



Maintenance Kit for CAYMAN & KOBRA

Code....72048

Please refer to accessories section for control and installation products (see pages 52-61)

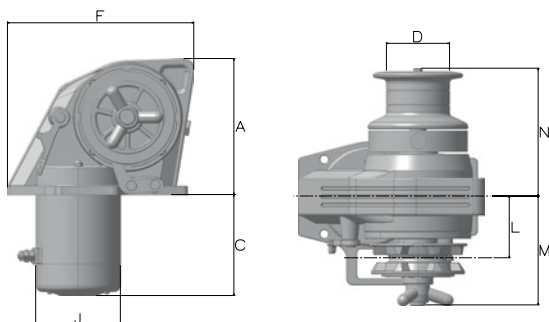


Construction	Anodised Aluminium	
Motor size	1000 W	
Power Supply (V)	12	24
Maximum Pull (kg)	1250	1325
Working load (kg)	170	170
Amps at Working Load (A)	150	80
Line Speed at Working Load (m/min)	16	17
Max Line Speed (m/min)	32	33
Net Weight with Drum (kg)	21	21
Circuit Breaker (available separately)	187333	187332
Control Box	Included in package	

KOBRA		Code	Code
With Drum	6 mm, ISO 4565 / DIN 766	600051	600513
	8 mm, ISO 4565 / DIN 766	220260	600514
	10 mm, DIN 766	600052	471734
	10 mm, ISO 4565	428747	220420

\*Non-standard configuration optional gypsies can be supplied separately.  
Please refer to compatible gypsies table

## Dimensions in mm



Model	A	C	F	D	J	L	M	N
1000W	184	136	250	Ø85	Ø114	83	147	172

# TIGRES - Horizontal Windlass

**1500W**



### Main features


- Marine aluminium anodised body
- Independent Gypsy and drum operation
- Manual chain release
- Manual override
- Heavy duty rated IP66 electric motor
- Automatic free fall available as option



**Compatible Gypsies**

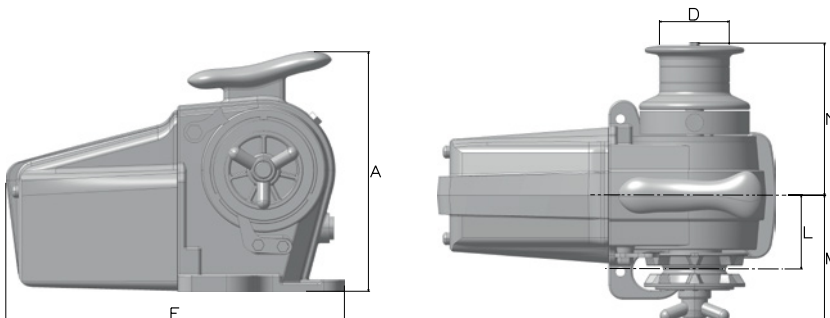
Code	Gypsy Size
630968	6 mm, ISO 4565 / DIN 766
630978	7mm, ISO 4565
630994	8 mm, ISO 4565 / DIN 766
631118	10 mm, / DIN 766
631011	10 mm, ISO 4565
631120	3/8 BBB
631122	3/8 PC
631077	5/16 HT

Construction	Anodised Aluminium	
Motor size	1500 W	
Power Supply (V)	12	24
Maximum Pull (kg)	1500	1590
Working load (kg)	190	200
Amps at Working Load (A)	160	90
Line Speed at Working Load (m/min)	14	16
Max Line Speed (m/min)	33	33
Net Weight with Drum (kg)	28	28
Circuit Breaker (available separately)	187333	187332
Control Box	Included in package	

TIGRES		Code	Code
With Drum	8 mm, ISO 4565 / DIN 766	418407	418409
	10 mm, DIN 766	600055	600059
	10 mm, ISO 4565	470060	220290

*\*Non-standard configuration optional gypsies can be supplied separately.  
Please refer to compatible gypsies table*

### Dimensions in mm



Model	A	D	F	L	M	N
1500W	290	Ø85	415	90	155	185

### Optional Accessories

- Foot Switch
- Control Switch
- Circuit Breaker
- Chain Counter
- Hand Held Control
- Radio Control



**Maintenance Kit for TIGRES**

Code....72050

*Please refer to accessories section for control and installation products (see pages 52-61)*

# FALKON - Horizontal Windlass

1700W



### Main features

- Marine aluminium anodised body
- Independent Gypsy and drum operation
- Manual chain release
- Manual override
- Heavy duty rated IP66 electric motor



### Compatible Gypsies

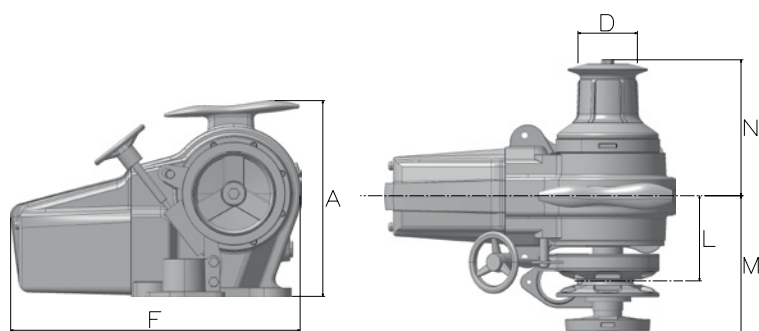
Code	Gypsy Size
630996	8 mm, ISO 4565 / DIN 766
631132	10 mm, / DIN 766
631022	10 mm, ISO 4565
631031	12mm, ISO 4565 / 13mm, DIN 766
631050	13mm, / DIN 764
631059	14mm
631033	1/2" BBB
631036	1/2" G40
631124	3/8" G40
631129	5/16" HT
630992	7/16" HT

Construction	Anodised Aluminium	
<b>Motor size</b>	<b>1700 W</b>	
Power Supply (V)	12	24
Maximum Pull (kg)	1700	1800
Working load (kg)	215	225
Amps at Working Load (A)	210	100
Line Speed at Working Load (m/min)	14	15
Max Line Speed (m/min)	33	33
Net Weight with Drum (kg)	55	55
Circuit Breaker (available separately)	187334	187332
Control Box	Included in package	

FALKON		Code	Code
With drum	10 mm, DIN 766	600063	600067
	10 mm, ISO 4565	220293	418511
	12mm ISO 4565 / 13mm DIN 766	404732	404733

\*Non-standard configuration optional gypsies can be supplied separately.  
Please refer to compatible gypsies table

### Dimensions in mm



Model	A	D	F	L	M	N
1700W	340	Ø104	500	147	240	235

### Optional Accessories

- Foot Switch
- Control Switch
- Circuit Breaker
- Chain Counter
- Hand Held Control
- Radio Control
- Chain Stopper



Maintenance Kit  
for FALKON

Code....72051

Please refer to accessories section for control and installation products (see pages 49-56)

# TITAN - Horizontal Windlass

2300W / 3600W / Hydraulic




**Main features**

- Marine aluminium anodised body
- Available in white polyester coating
- Independent Gypsy and drum operation
- Manual chain release
- Manual override
- Heavy duty rated IP66 electric motor

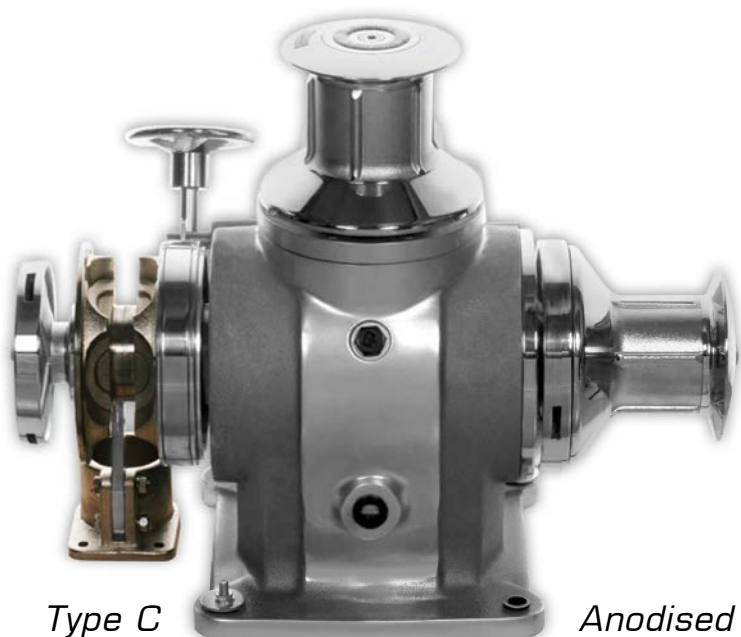
Type B - White Aluminium

Construction	Anodised Aluminium		White Aluminium	Anodised Aluminium
Motor size	2300 W	3600 W	3600 W	Hydraulic - 9cc
Power Supply (V)	24	230 - 1 PH	230 - 1 PH	-
Maximum Pull (kg)	2700	3400	3400	3400
Working load (kg)	430	540	540	540
Amps Work Load (A)	140	-	-	-
Amps at Working Load (A)	10	11	11	11
Line Speed at Working Load (m/min)	18	11	11	11
Net Weight with Drum (kg)	115	115	115	95
Hydraulic Pressure (bar)	-	-	-	200
Hydraulic Flow (lt/min)	-	-	-	32
Circuit Breaker (available separately)	187333	-	-	-
Control Box	Included in package	600684		-

TITAN		Model**	Code	Code	Code	Code
With Drum	12 mm, ISO 4565 / 13mm, DIN 766	Type A	404724	*	600846	602423
			600072	600847	*	602424
	12 mm, ISO 4565 / 13mm, DIN 766	Type B	428938	*	*	602468
			426415	*	*	602469

\*\*Available also in Type C, D...

\*Non-standard configuration optional gypsies can be supplied separately. Please refer to compatible gypsies table

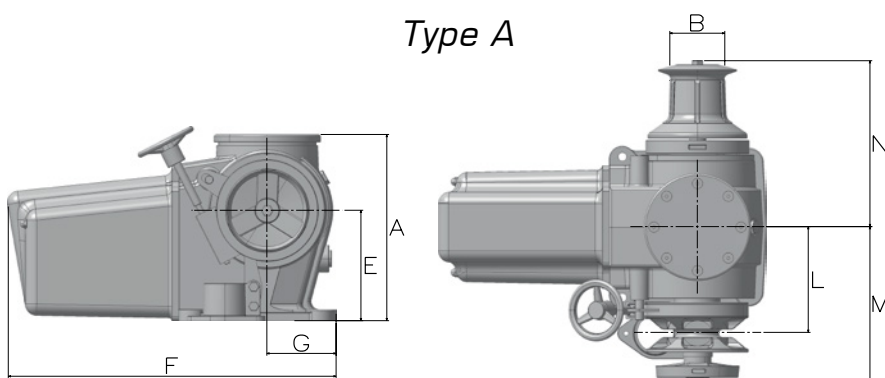


Type C

Anodised Aluminium

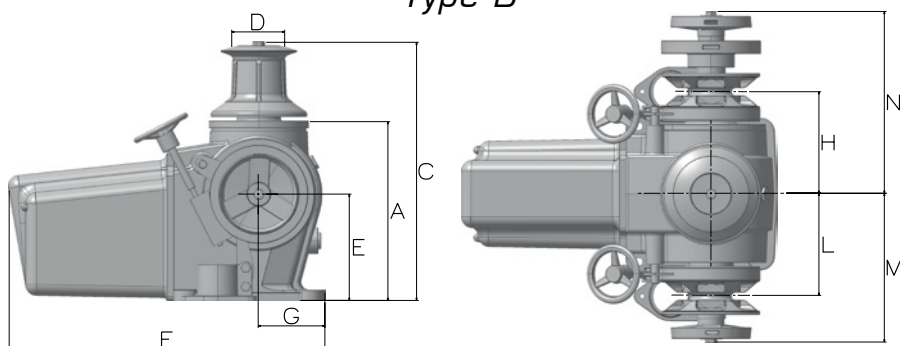
Dimensions in mm

Type A



Model	A	C	F	D	J	L	M	N
2300W	330	Ø104	193	590	120	185	270	290
3600W								
Hydraulic								

Type B



Model	A	C	D	E	F	G	H	L	M	N
2300W	330	465	Ø104	193	590	120	185	185	270	290
3600W										
Hydraulic										

Compatible Gypsies



Code	Gypsy Size
630996	8 mm, ISO 4565 / DIN 766
631132	10 mm, / DIN 766
631013	10 mm, ISO 4565
631031	12mm, ISO 4565 / 13mm, DIN 766
631059	14mm
631033	1/2" BBB
631036	1/2" G40
631124	3/8" G40

Compatible Chains



Code	Chain Size	Pack
72314	10mm, / DIN 766	120
72753	10mm, ISO 4565	30
72755	12mm, ISO 4565	50
72408	14mm, ISO 4565 / DIN 766	200

More available packs (see pages 59)

Kits

Code	Description
418403	KIT A - Seals
418457	KIT B - Screws
418493	KIT C - Pins
418553	KIT D - Circlips

Optional Accessories

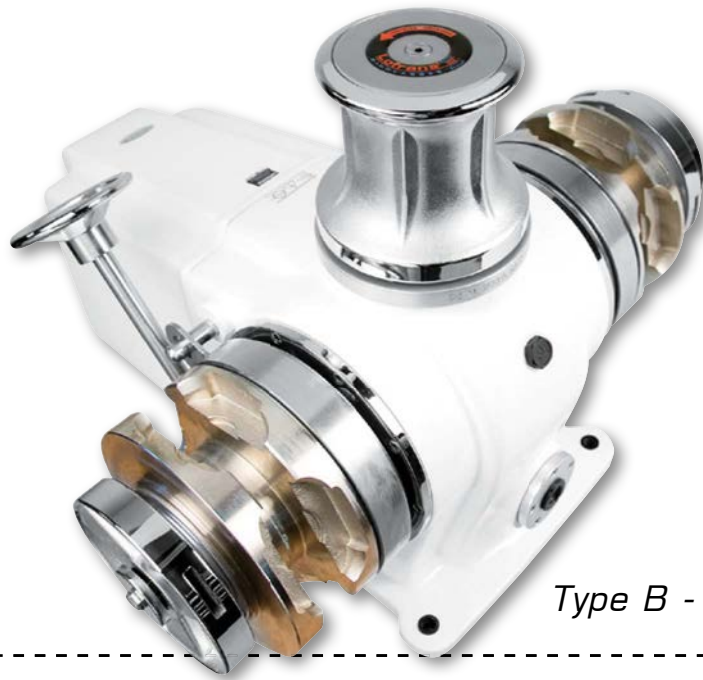


- Foot Switch
- Control Switch
- Circuit Breaker
- Chain Counter
- Hand Held Control
- Radio Control
- Chain Stopper

Please refer to accessories section for control and installation products (see pages 52-61)

# ERCOLE - Horizontal Windlass

3500W / Hydraulic



**Main features**


- Available in white polyester coating
- Independent Gypsy and drum operation
- Manual chain release
- Manual override
- Heavy duty electric motor

Type B - White Aluminium



Chain pipe included

Construction	White Aluminium	
	3500 W	Hydraulic - 11cc
Motor size	3500 W	Hydraulic - 11cc
Power Supply (V)	24	-
Maximum Pull (kg)	4500	6500
Working load (kg)	810	1550
Amps at Working Load (A)	240	-
Line Speed at Working Load (m/min)	12	14
Max Line Speed (m/min)	20	14
Net Weight with Drum (kg)	200	180
Hydraulic Pressure (bar)	-	200
Hydraulic Flow (lt/min)	-	40
Control Box	Included in package	-

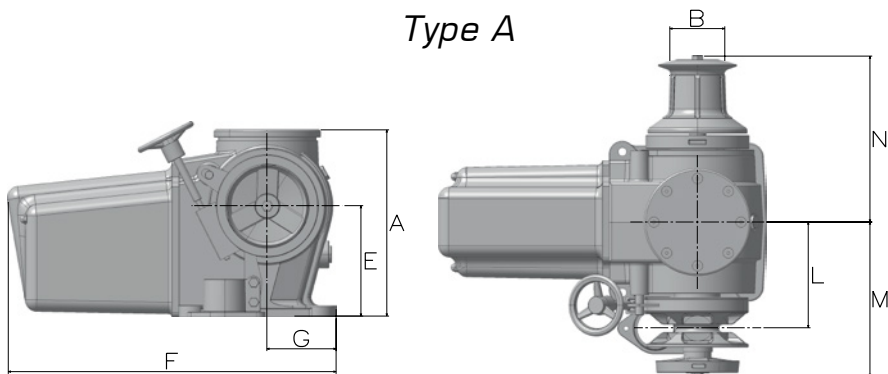
ERCOLE		Model	Code	Code
With Drum	14 mm	Type A	403615	602509
		Type B	220317	602512
		Type C	403614	602515

\*\*Available also in Type D, E, F ....

\*Non-standard configuration optional gypsies can be supplied separately. Please refer to compatible gypsies table

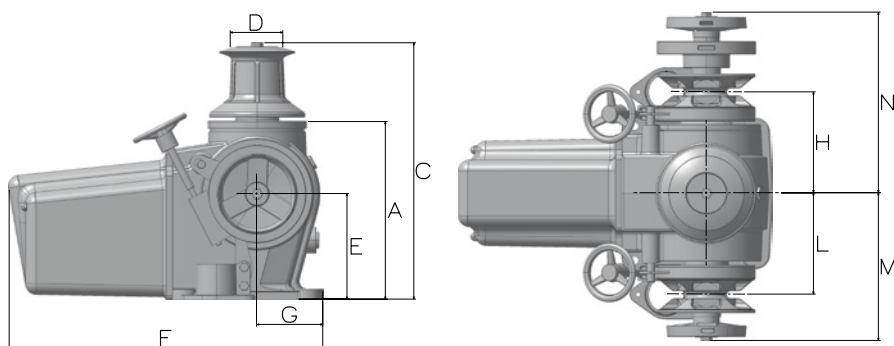
Dimensions in mm

Type A



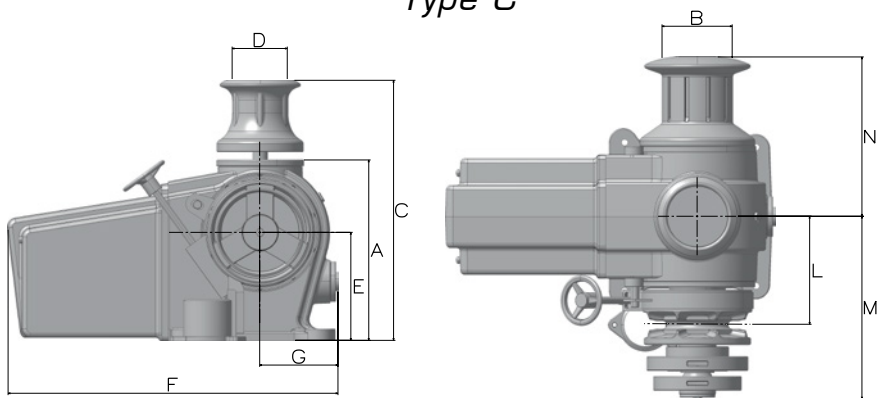
Model	A	B	E	F	G	L	M	N
3500W Hydraulic	390	Ø150	230	705	160	230-250	390	340

Type B



Model	A	C	D	E	F	G	H	L	M	N
3500W Hydraulic	390	555	Ø125	230	705	160	230-250	230-250	390	340

Type C



Model	A	B	C	D	E	F	G	L	M	N
2300W Hydraulic	390	Ø150	555	Ø125	230	705	170	230-250	390	339

Compatible Gypsies



Code	Gypsy Size
631019	10mm, ISO 4565
631039	12mm, ISO 4565 / 13mm, DIN 766
631065	14mm
631085	13mm. / DIN 764
631082	16mm
631088	16mm, / DIN 766
631101	18mm
631095	18mm, / DIN 766
631113	20mm
631068	14 STUD LINK
631092	16 STUD LINK
631098	17,5 STUD LINK
631104	19 STUD LINK
631110	20 STUD LINK
631053	1/2" STUD LINK
631056	13 ITALMET

Kits

Code	Description
418423	KIT A - Seals
418472	KIT B - Screws
418494	KIT C - Pins
418555	KIT D - Circlips

Optional Accessories

- Foot Switch
- Control Switch
- Circuit Breaker
- Chain Counter
- Hand Held Control
- Radio Control
- Chain Stopper



Please refer to accessories section for control and installation products (see pages 52-61)

# SUPER ERCOLE




### Main features

- Available in white polyester coating
- Independent Gypsy and drum operation
- Manual chain release
- Manual override
- Heavy duty rated IP44 electric motor

*Type B - White Aluminium*

Construction	White Aluminium		
	3500 W	5500 W	Hydraulic - 11cc
Motor size	3500 W	5500 W	Hydraulic - 11cc
Power Supply (V)	24	400	-
Maximum Pull (kg)	5000	7000	7000
Working load (kg)	870	1670	1670
Amps at Working Load (A)	240	-	-
Line Speed at Working Load (m/min)	14	17	18
Max Line Speed (m/min)	28	17	18
Net Weight with Drum (kg)	235	235	215
Hydraulic Pressure (bar)	-	-	200
Hydraulic Flow (lt/min)	-	-	40
Control Box	Included in package	600693	-

SUPER ERCOLE		Model	Code	Code	Code
		With Drum	16 mm	Type A	404957
		Type B	426414	602504	602491

*\*\*Available also in Type C, D, E, F....*

*\*Non-standard configuration optional gypsies are supply separately. Please refer to compatible gypsies table on next page.*



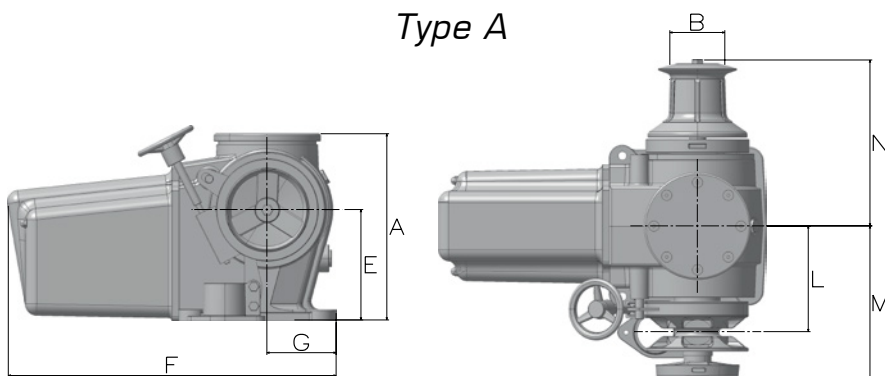
# - Horizontal Windlass

**3500W / 5500W / Hydraulic**



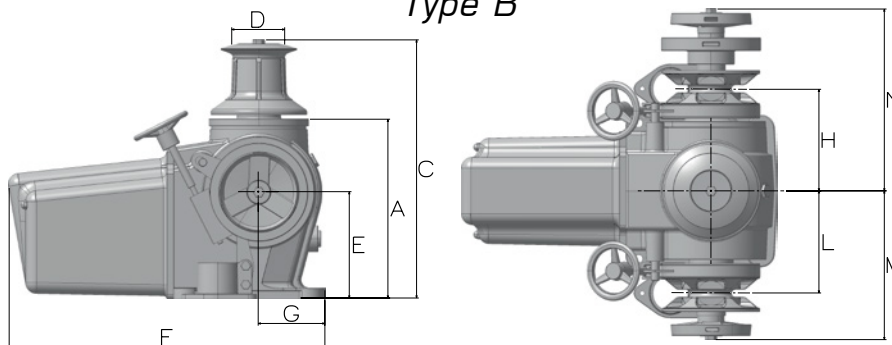
Dimensions in mm

## Type A



Model	A	C	F	D	J	L	M	N
2300W	450	Ø150	260	870	200	255-280	450	375
3600W								
Hydraulic								

## Type B



Model	A	C	D	E	F	G	H	L	M	N
2300W	450	610	Ø135	260	870	200	255-270	255-280	450	375
3600W										
Hydraulic										

## Compatible Gypsies



Code	Gypsy Size
631019	10mm, ISO 4565
631039	12mm, ISO 4565 / 13mm, DIN 766
631065	14mm
631085	13mm. / DIN 764
631082	16mm
631088	16mm, DIN 766
631101	18mm
631095	18mm, DIN 766
631113	20mm
631068	14 STUD LINK
631092	16 STUD LINK
631098	18 STUD LINK
631104	19 STUD LINK
631110	20 STUD LINK
631053	1/2" STUD LINK
631056	13 ITALMET

## Kits

Code	Description
427806	KIT A - Seals
418476	KIT B - Screws
418500	KIT C - Pins
418575	KIT D - Circlips

## Optional Accessories



- Foot Switch
- Control Switch
- Circuit Breaker
- Chain Counter
- Hand Held Control
- Radio Control
- Chain Stopper

Please refer to accessories section for control and installation products (see pages 52-61)

# CAPSTANS



The range of Lofrans capstans is designed for boats from 18 up to 150 feet. Capstans are normally installed on the stern of the boat for mooring operations and are used in recreational, fishing and commercial vessels.

They are normally installed on the vessel in addition to the anchor windlass, with the number of capstan units depending on the length and displacement of the vessel.

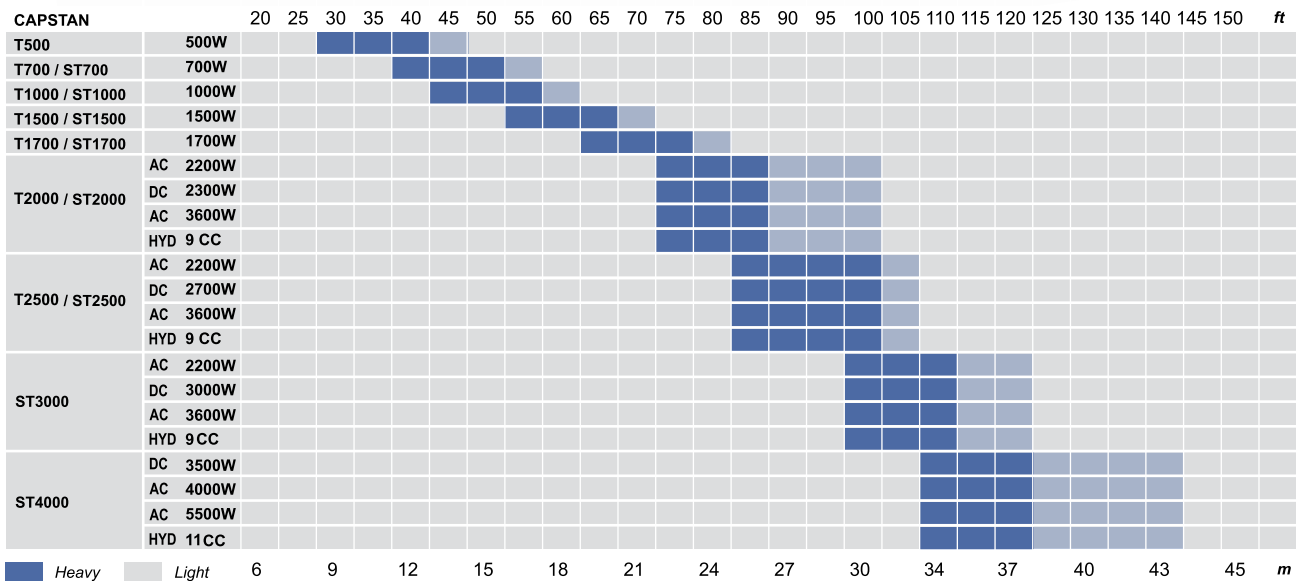
They are controlled by a pair of the foot switches close to the capstan, so that the operator can have his/her hands free for rope handling.

The construction is very similar to our vertical windlass range using the same mechanical components, giving strength and high performance by relying on Lofrans'- made worm screw gearbox.

The base is manufactured using chromed bronze, strong and long lasting, as are the drums, which have the proper surface to hold the rope and minimize wear.

The ST range has a base & a drum made in mirror polished AISI 316L stainless steel. The main structure of the gearbox is of a strong single-block construction, same as our big vertical anchor windlasses.

Available to operate with 12V DC, 24V DC as well as AC or hydraulic motors for the larger size/higher power models, they are designed to meet a wide range of user requirements.



# T500-T700 - Capstan

## Main features

- Luxury chrome bronze base and drum
- Heavy duty rated IP67 electric motor
- Anodised marine aluminium gearbox



Chromed Bronze

## Optional Accessories

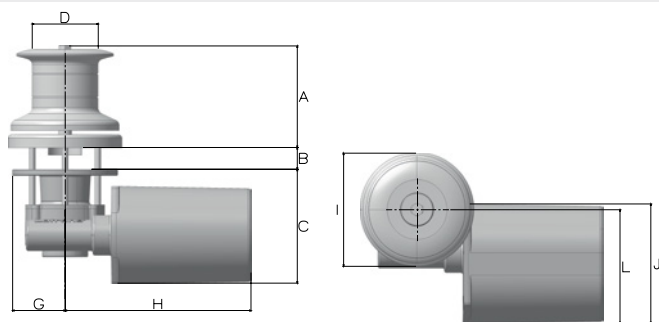
- Foot Switch
- Control Switch
- Circuit Breaker
- Hand Held Control
- Radio Control



Construction	Chromed bronze			Aluminium		
Model	T500	T700		T500	T700	
Motor size	500 W	700 W		500 W	700 W	
Power Supply (V)	12	12	24	12	12	24
Maximum Pull (kg)	670	850	900	630	850	900
Working load (kg)	85	115	125	85	115	125
Amps at Working Load (A)	75	110	50	75	110	50
Line Speed at Working Load (m/min)	23	20	23	23	20	23
Max Line Speed (m/min)	26	30	30	26	30	30
Net Weight with Drum (kg)	11	15	15	9	15	15
Circuit Breaker (available separately)	187331	187331	187332	187331	187331	187332
Control Box	Included in package					

Code	409130	220006	418159	409563	411129	600779
------	--------	--------	--------	--------	--------	--------

## Dimensions in mm



Model	A	B	C	D	G	H	I	J	L
T500	90	18-30	111	Ø60	55	236	Ø115	110	121
T700	135	25-40	150	Ø92	62	256	Ø155	134	157

## KIT A - SEALS

Code	For CAPSTANS
418410	T500
418411	T700 - T1000

## KIT B - SCREWS

Code	For CAPSTANS
418446	T500
418410	T500

## KIT C - PINS

Code	For CAPSTANS
418483	T500

## KIT D - CIRCLIPS

Code	For CAPSTANS
418512	T500
418513	T700 - T1000

Please refer to accessories section for control and installation products (see pages 52-61)

# T1000-T1500-T1700 - Capstan



Chromed Bronze



Aluminium

IP67 rated heavy duty electric motor (T1500)

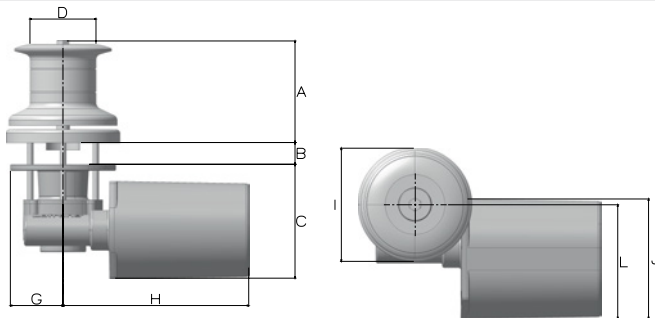
### Optional Accessories

- Foot Switch
- Control Switch
- Circuit Breaker
- Hand Held Control
- Radio Control



Construction	Chromed bronze						Aluminium					
	T1000		T1500		T1700		T1000		T1500		T1700	
Model	1000 W		1500 W		1700 W		1000 W		1500 W		1700 W	
Motor size	1000 W		1500 W		1700 W		1000 W		1500 W		1700 W	
Power Supply (V)	12	24	12	24	12	24	12	24	12	24	12	24
Maximum Pull (kg)	1000	1060	1200	1270	1600	1695	1000	1060	1200	1270	1600	1695
Working load (kg)	150	160	165	165	200	215	150	160	165	165	200	215
Amps at Working Load (A)	135	70	150	75	180	90	135	70	150	75	180	90
Line Speed at Working Load (m/min)	20	23	17	19	14	15	20	23	17	19	14	15
Max Line Speed (m/min)	40	40	40	40	32	32	40	40	40	40	32	32
Net Weight with Drum (kg)	21	21	27	27	30	30	16	16	18	18	25	25
Circuit Breaker (available separately)	187333	187332	187333	187332	187334	187332	187333	187332	187333	187332	187334	187332
Control Box	Included in package											
Code	417946	187324	220014	418161	472407	187326	409564	409567	600058	600062	600066	600069

### Dimensions in mm



Model	A	B	C	D	G	H	I	J	L
T1000	135	25-40	150	Ø92	62	256	Ø155	134	157
T1500	162	50-70	160	Ø104	73	236	Ø191	165	157
T1700	162	50-70	165	Ø104	90	300	Ø191	Ø127	140

### KIT A - SEALS

Code For CAPSTANS

418411 T700 - T1000

418422 T1500 - T1700

### KIT C - PINS

Code For CAPSTANS

418487 T1500 - T1700

### KIT D - CIRCLIPS

Code For CAPSTANS

418513 T700 - T1000

418514 T1500 - T1700

Stainless Steel

# ST1000 - ST1500 - ST1700

## Capstan



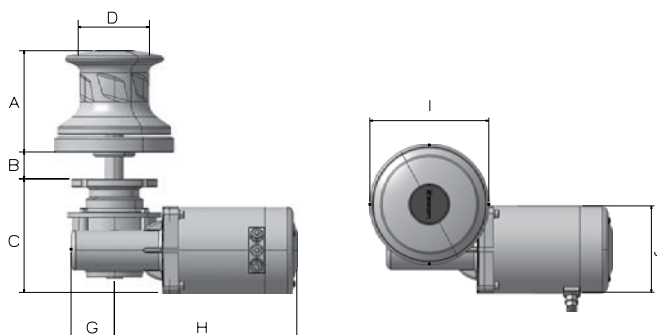
3  
Years Limited  
Warranty



Marine AISI 316L Stainless Steel base & drum

Construction	Stainless Steel		
Model	ST1000	ST1500	ST1700
Motor size	1000 W	1500 W	1700 W
Power Supply (V)	24	24	24
Maximum Pull (kg)	1060	1270	1695
Working load (kg)	160	165	215
Amps at Working Load (A)	70	75	90
Line Speed at Working Load (m/min)	23	19	15
Max Line Speed (m/min)	40	40	32
Net Weight with Drum (kg)	21	27	30
Circuit Breaker (available separately)	636088	636088	187332
Control Box	Included in package		
Code	636297	636298	636299

### Dimensions in mm



Model	A	B	C	D	G	H	I	J	L
ST1000	134	25-40	150	91	62	256	157	134	157
ST1500	164	50-70	160	97	73	236	170	165	157
ST1700	164	50-70	165	97	90	300	170	127	140

Please refer to accessories section for control and installation products (see pages 52-61)

www.lofrans.com

# T2000 - T2500 - Capstan



**Main features**

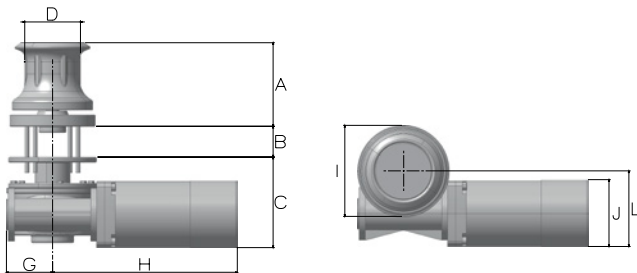
- Luxury chrome bronze base and drum
- Heavy duty electric motor
- Anodised marine aluminium gearbox



Construction	Chromed bronze						
Model	T2000				T2500		
Motor size	2200 W	2300 W		Hydraulic - 9cc	2200 W	2700 W	Hydraulic - 9cc
Type**	cw	cw	ccw	cw	cw	cw	cw
Power Supply (V)	230-400	24	24	-	230-400	24	-
Maximum Pull (kg)	2200	2000	2000	2500	2200	2400	2500
Working load (kg)	595	545	545	680	595	650	680
Amps at Working Load (A)	-	180	180	-	-	210	-
Line Speed at Working Load (m/min)	15	15	15	15	15	15	15
Max Line Speed (m/min)	15	31	31	15	15	31	15
Net Weight with Drum (kg)	52	52	52	40	52	53	40
Hydraulic Pressure (bar)	-	-	-	200	-	-	200
Hydraulic Flow (lt/min)	-	-	-	32	-	-	32
Control Box	600095	Included in package		-	600095	Included in package	-
Code	<b>600071</b>	<b>404967</b>	<b>600729</b>	<b>602140</b>	<b>600070</b>	<b>476239</b>	<b>602168</b>

\*\* cw: the capstan pulls clockwise ccw: the capstan pulls counter clockwise

*Dimensions in mm*



Model	A	B	C	D	G	H	I	J	L
<b>T2000</b>	190	60-90	212	Ø125	105	420	Ø194	Ø152	176
<b>T2500</b>	191	90-130	212	Ø125	105	420	Ø230	Ø152	172

**Kits**

Code	Description
<b>418399</b>	KIT A - Seals
<b>418488</b>	KIT C - Pins

Code	Description
<b>418515</b>	KIT D - Circlips

# ST2000 - ST2500

## Stainless Steel Capstan



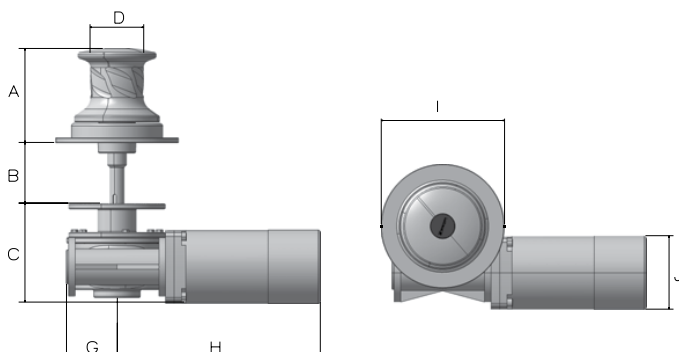
Marine AISI 316L Stainless Steel base & drum

Construction	Stainless Steel				
	ST2000		ST2500		
Model	2300 W		2200 W	2700 W	Hydraulic - 9cc
Motor size	2300 W		2200 W	2700 W	Hydraulic - 9cc
Type**	CW	CCW	CW	CW	CW
Power Supply (V)	24	24	230-400	24	-
Maximum Pull (kg)	2000	2000	2200	2400	2500
Working load (kg)	545	545	595	650	680
Amps at Working Load (A)	180	180	-	210	-
Line Speed at Working Load (m/min)	15	15	15	15	15
Max Line Speed (m/min)	31	31	15	31	15
Net Weight with Drum (kg)	52	52	52	53	40
Hydraulic Pressure (bar)	-	-	-	-	200
Hydraulic Flow (lt/min)	-	-	-	-	32
Control Box	Included in package		600095	Included in package	-

Code	636300	636301	636302	636303	636304
------	--------	--------	--------	--------	--------

\*\* cw: the capstan pulls clockwise ccw: the capstan pulls counter clockwise

### Dimensions in mm



Model	A	B	C	D	G	H	I	J	L
ST2000	187	60-90	212	110	105	420	190	152	176
ST2500	194	60-90	212	110	105	420	255	152	172

Please refer to accessories section for control and installation products (see pages 52-61)

www.lofrans.com

*Stainless Steel*

# ST3000 - ST4000

## Capstan



**Main features**

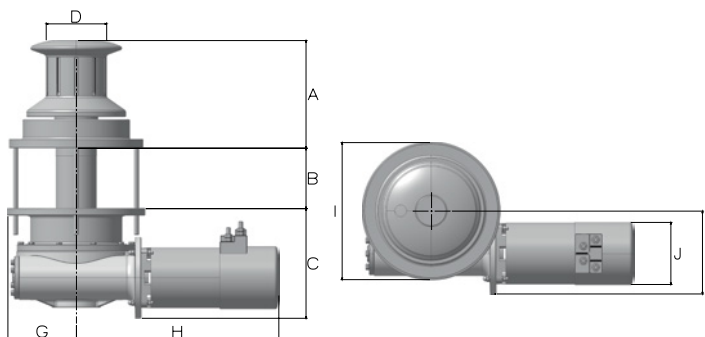
- Luxury stainless steel base and drum
- Heavy duty electric motor
- Anodised marine aluminium gearbox



Construction	316 L Stainless Steel						
Model	ST3000				ST4000		
Motor size	2200 W	3000 W	3600 W	Hydraulic - 9cc	3500 W	4000 W	5500 W
Power Supply (V)	400	24	400	-	24	400	400
Maximum Pull (kg)	3000	3000	3500	2500	5500	5000	5000
Working load (kg)	815	600	950	680	690	850	1550
Amps at Working Load (A)	-	210	210	-	215	-	-
Line Speed at Working Load (m/min)	16	14	14	17	10	10	11
Max Line Speed (m/min)	16	27	27	17	15	10	11
Net Weight with Drum (kg)	75	75	75	40	120	120	105
Hydraulic Pressure (bar)	-	-	-	200	-	-	200
Hydraulic Flow (lt/min)	-	-	-	32	-	-	40
Control Box	600095	Included in package	600096	-	Included in package	600096	600093

Code	600767	602187	602196	602189	600077	600771	423284
------	--------	--------	--------	--------	--------	--------	--------

*Dimensions in mm*



Model	A	B	C	D	G	H	I	J	L
ST3000	206	60-90	190	Ø150	142	436	Ø255	Ø152	190
ST4000	267	150	272	Ø150	170	502	Ø340	Ø154	206





# CETO

The new CETO model is a unit built for the professional fishermen used for retrieving clam fishing baskets.

They are assembled using a heavy duty electric motor and gearbox, with the motor contained in an IP67 rated cover to be protected from humidity and sea water, and by a strong aluminum drum able to contain approximately 20 meters of fine rope.

They are available at a power rating of 1000W at 12V or 24V. The drum is driven by use of a high torque worm gear box with the gear case made in black anodized marine aluminum. The gears are made of special bronze and steel in order to withstand the high stress during the intensive use of such an operation.

The top part is made by a simple construction of a anodized marine aluminum for the base and drum, and a stainless steel AISI 431 shaft.



IP67 rated heavy duty electric motor

Construction	Marine anodised aluminum
Motor size	1000 W
Power Supply (V)	12V
Maximum Pull (kg)	850
Working load (kg)	175
Amps at Working Load (A)	165
Line Speed at Working Load (m/min)	15
Max Line Speed (m/min)	15
Net Weight with Drum (kg)	16
Circuit Breaker (available separately)	187333
Control Box	Included in package

Code **635999**

# Recovery Capstan TENDER WINCH

The Tender Winch models are units designed to recover a small tender or a jet ski.

They are assembled using a heavy duty electric motor and gearbox, with the motor contained in an IP67 rated cover to be protected from humidity and sea water, and by a strong aluminum drum able to contain the necessary belt.

They are available at a power rating of 700W at 12V or 24V.

The drum is driven by use of a high torque worm gear box with the gear case made in black anodized marine aluminum. The gears are made of special bronze and steel in order to withstand the high stress during operation.

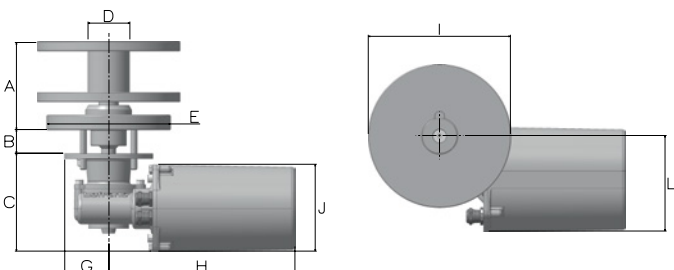
The top part is made by a simple construction of a anodized marine aluminum for the base and drum, and a stainless steel AISI 431 shaft.



Construction	Marine anodised aluminum		
	800 W	700 W	800 W
Motor size	800 W	700 W	800 W
Power Supply (V)	12V	24V	12V
Maximum Pull (kg)	550	600	550
Working load (kg)	125	125	125
Amps at Working Load (A)	150	80	150
Line Speed at Working Load (m/min)	15	15	15
Max Line Speed (m/min)	20	20	20
Net Weight with Drum (kg)	9	9	9
Circuit Breaker (available separately)	187332	187331	187332
Control Box	Included in package		

Code **030054** | **602123** | **602122**

## Dimensions in mm



Model	A	B	C	D	G	H	I	J	L	
1000W	180	25-40	150	Ø60	72,5	256	Ø200	134	157	
Model	A	B	C	D	E	G	H	I	J	L
500W	96	18-30	124	Ø40	Ø114	56	236	Ø145	110	121
700W / 800W	110	18-30	124	Ø53	Ø156	56	236	Ø180	110	121

# CHAIN STOPPER

The **chain stopper** is installed between the windlass and the bow roller in order to take the load off the windlass, either when the yacht is anchored or tensioning the anchor chain when the anchor is stowed.

Windlasses which have two gypsies or a gypsy and a drum, need the chain stopper in order to isolate the one gypsy and either work with the other gypsy or with the drum.

**Lofrans' chain stopper, stainless steel,  
for ISO/DIN chain 8/ 10/ 12mm**

Code...636257

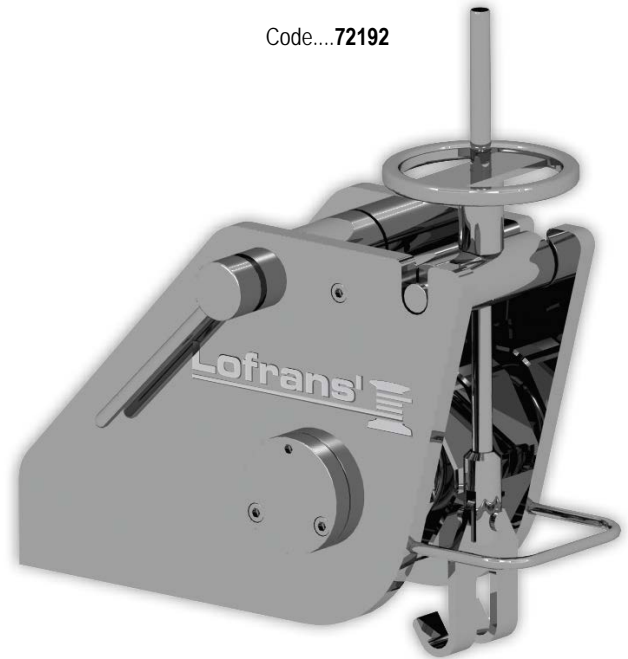


**LOFRANS' Chain stopper,  
stainless steel,  
for ISO/DIN chain 12/ 13/ 14/ 16mm**

Code...72191

**Lofrans' Chain roller-stopper  
with tensioner, stainless steel,  
for ISO/DIN/studlink chain 14/ 16mm**

Code...72192



#### **Chain stopper 8-10-12 mm chains**

- Chain stopper is designed to be used with chain size 8/ 10/ 12mm short link chain.
- This model provides an increased safety by blocking the anchor chain.
- AISI 316L Stainless steel

#### **Chain stopper 12-13-14-16 mm chains**

- Chain stopper is designed to be used with chain size 12/ 13/ 14/ 16mm short link chain.
- This model provides an increased safety by blocking the anchor chain.
- AISI 316L Stainless steel

#### **Chain stopper 14-16 mm chains**

- Chain stopper is designed to be used with chain size 14 / 16 / 17.5 mm stud link chain and 16mm short link chain.
- This model provides an increased safety by holding and blocking the chain and the anchor at the same time.
- AISI 316L Stainless steel
- Integrated devils claw for taking up the chain tension off the windlass.

# ZEUS RANGE *for*

## Custom made solution for MEGA YACHTS

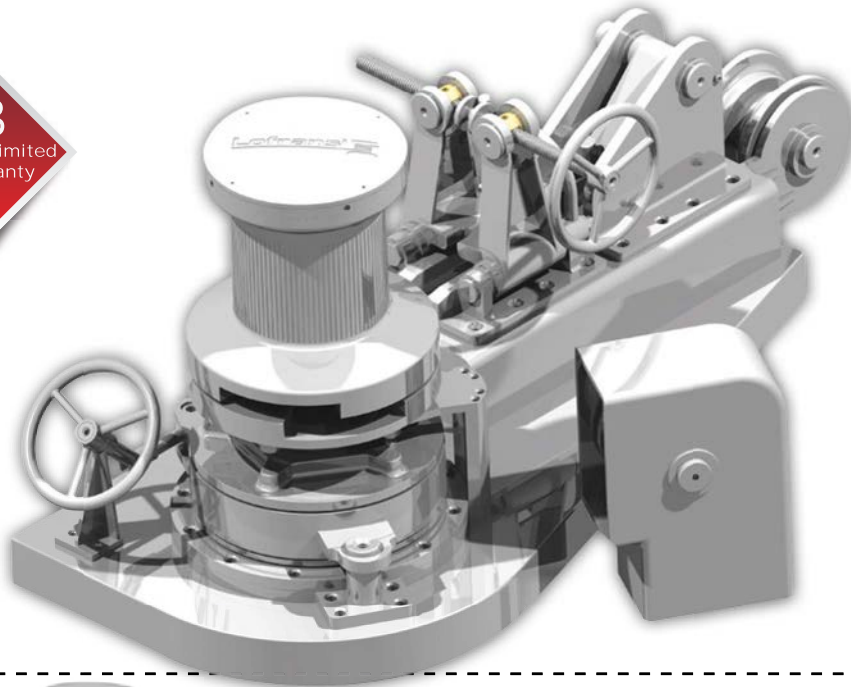
- ▶ Semi & Fully customized Vertical windlass, specially designed for above 45m yachts.
- ▶ AC or HYD, high torque, latest generation motors for marine use.
- ▶ High torque planetary gearbox.
- ▶ AISI 316L Stainless Steel visible parts.
- ▶ Independent Operation of gypsy and capstan.
- ▶ Up to 42mm stud-link chain & 12.000kgs maximum pull.



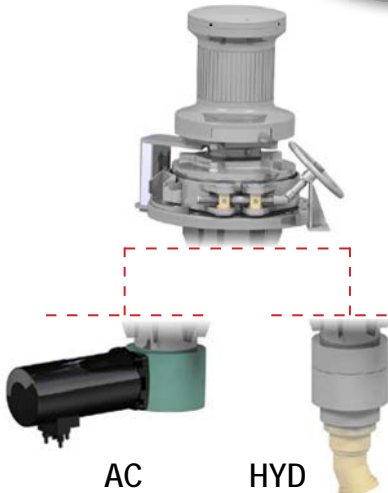
Model	150	165	180	195	210	225	240	260	280	295	310	330	345	360	390	425	ft
ZEUS 5500	■	■	■	■													
ZEUS 7500				■	■	■	■										
ZEUS 9500							■	■	■	■	■	■					
ZEUS 12000												■	■	■	■	■	■
Heavy	45	50	55	60	65	70	75	80	85	90	95	100	105	110	120	130	m

Notes: \* All ZEUS windlasses are subject to customized solution \*\* Mention that ZEUS range goes customized to 42mm STDL chain

# ZEUS - Vertical Windlass



Meets the specifications of:



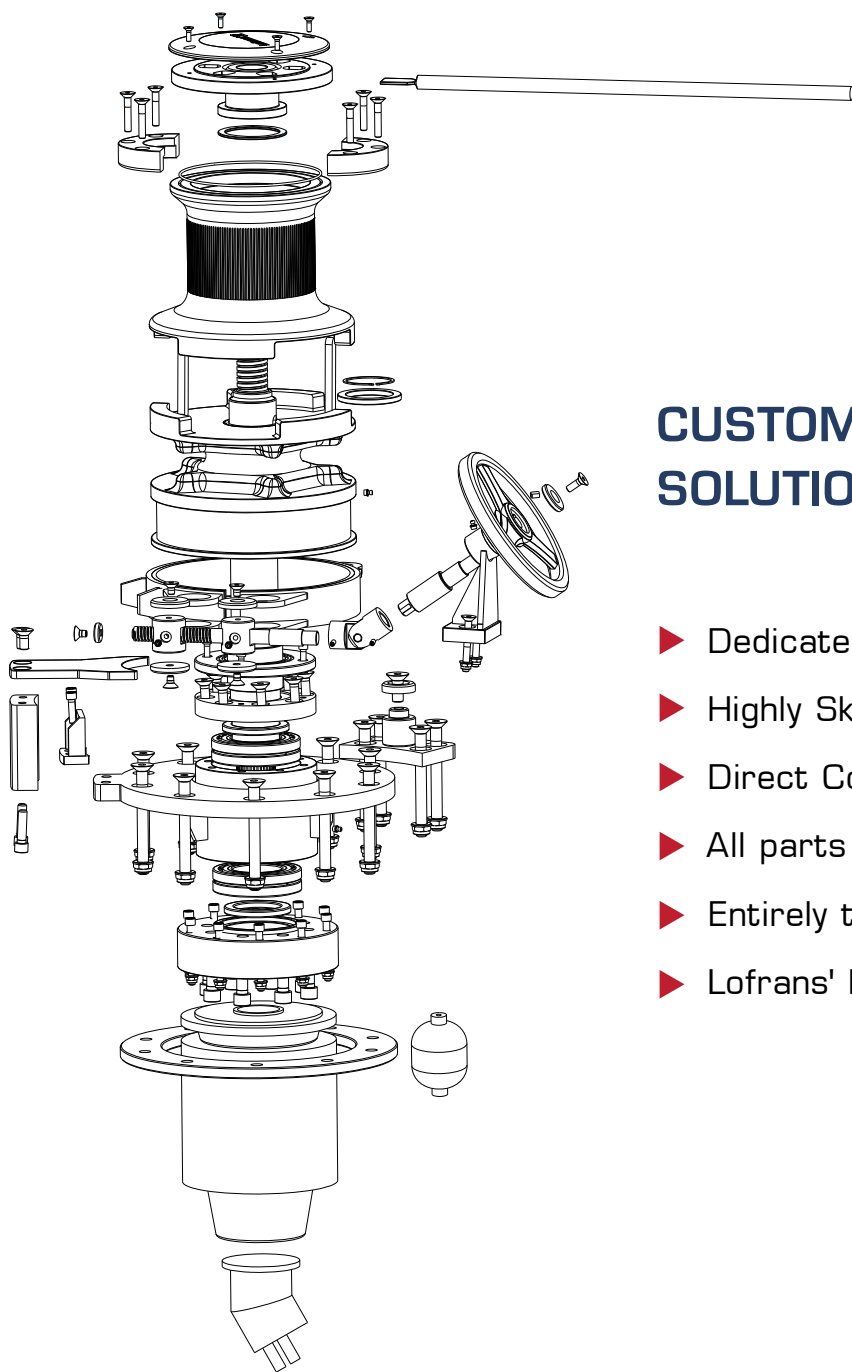
Model Type ZEUS	Gypsy For Stud-link Chain	Control Box	Line Speed at W.L.	Max Line Speed	Maximum Pull	Working Load	Motor Size
5500 AC / HYD	20mm	Switchboard available separately	11 m/min	19 m/min	5000 kg	2100 kg	5,5 kW
5500 AC / HYD	22mm				5400 kg	3000 kg	7,5 kW
5500 AC / HYD	24mm				6000 kg	3600 kg	9 kW
7500 AC / HYD	24mm				7700 kg	5500 kg	11 kW
7500 AC / HYD	26mm				8000 kg	5500 kg	11 kW
7500 AC / HYD	28mm				8500 kg	7000 kg	15 kW
9500 AC / HYD	28mm				9200 kg	7000 kg	15 kW
9500 AC / HYD	30mm				9200 kg	7000 kg	15 kW
9500 AC / HYD	32mm				10500 kg	9000 kg	18,2 kW
12000 AC / HYD	32mm				12600 kg	10200 kg	22 kW
12000 AC / HYD	34mm	12600 kg	10200 kg	22 kW			

\*Code upon request



Designed by Lofrans' in Italy





## CUSTOM & SEMI CUSTOM SOLUTIONS

- ▶ Dedicated Project Manager
- ▶ Highly Skilled R&D Team
- ▶ Direct Communication
- ▶ All parts are custom made
- ▶ Entirely tailor made solution
- ▶ Lofrans' Legendary Quality & Endurance



Capstans

# ELECTRIC ACCESSORIES

The range of accessories consists of a large selection of products to control windlass operations. All products are designed and built to guarantee perfect and reliable operation in the marine environment. Lofrans' Accessories are manufactured to the highest quality for reliability and safety, conforming to EC regulations covering electromagnetic compatibility (89/336/CEE). They are tested by official organizations for compliance to regulations and are CE marked.

For a windlass to function properly you will need to install:

- The **control box** unit which is supplied as standard, is made up of two solenoids included in a watertight box with an IP56 rating. Connecting the remote control to the control box is easily done by simply plugging the wiring onto the control box
- The **circuit breaker**, which offers three functions:
  - Protection from short circuit
  - Protection of the electric motor from current overload
  - Voltage interruption when the anchor windlass needs to be switched off. The circuit breaker is installed on a panel and has an LED indicator.
- One or more electric controls which can be connected in parallel.

## IRIS

CHAIN COUNTER



## GALAXY 102

HAND HELD CONTROL



### Panel Chaincounter IRIS

This fly bridge chain counter IRIS is technologically advanced instrument with an elegant and ergonomic design makes it suitable for all type of boat cockpits. IRIS is supplied with an evolved microprocessor, with different operations allowing an optimum anchoring.

- Chain speed indicator / mooring length in meters or feet
- Voltage indicator
- Up alarm sensor
- Switch on button / Key tones adjustment
- High vision LCD display / Backlit display screen / Eight level of contrast
- Six language menu (IT, EN, FR, DE, ES, GR)
- Able to control free fall windlasses
- Parallel connection

### Hand Held Control GALAXY 102

This hand held remote control model GALAXY 102 has an elegant and functional design. The soft rubber case, which covers sideways the remote control, allows a safe and handy taking under any condition.

This hand held remote control is rated with IP66 and supplied with waterproof plug and socket rated IP67. The extending flexible cable (approximately 4 metres) gives the maximum freedom on board during anchoring manoeuvring.

- Inversion polarity protection
- Parallel connection
- 2 buttons (up-down)

Code	600017
Command transmission	Wire
Number of button	3
Voltage	12 - 24V <sub>dc</sub>
Operative temperature	-10 : 60
IP protection rated*	67
Max contacts amperage (A)	2
Weight (gr)	500
Dimension (mm)	110x105x15 (5 flat version)

\* When installed

Code	600013
Command transmission	Wire
Number of button	2
Voltage	12 - 24V <sub>dc</sub>
Operative temperature	-10 : 60
IP protection rated	66
Max contacts amperage (A)	2
Weight (gr)	580
Dimension (mm)	155x65x45

# GALAXY 703

CHAIN COUNTER

# GALAXY 503

CHAIN COUNTER



## Radio Control Chaincounter GALAXY 703

Without cable ties, plug or panels and with load always perfect by rechargeable battery, the radio chain counter GALAXY 703 gives finally all the freedom of manoeuvres and the comfort of reading in the anchoring operations.

- Chain speed indicator / mooring length in meters or feet
- Voltage indicator
- Up alarm sensor
- Switch on button / Key tones adjustment
- High vision LCD display / Backlit display screen / Eight level of contrast
- Six language menu (IT, EN, FR, DE, ES, GR)
- Able to control free fall windlasses
- Parallel connection

## Hand Held Remote Control Chaincounter GALAXY 503

This remote chain counter model GALAXY 503 has been specifically designed to give the full control in anchoring. It's a reliable and practical instrument, technologically advanced, specifically design for use in marine environments. The external casing, rated with IP66 and supplied with waterproof plug and socket rated IP67. The extending flexible cable (approximately 4 metres) gives the maximum freedom on board during anchoring manoeuvring. Provided with an evolved microprocessor that offers a series of advantages for full control of the anchoring.

- Chain speed indicator / mooring length in meters or feet
- Voltage indicator
- Up alarm sensor
- Switch on button / Key tones adjustment
- High vision LCD display / Backlit display screen / Eight level of contrast
- Six language menu (IT, EN, FR, DE, ES, GR)
- Able to control free fall windlasses
- Parallel connection

Code	600016
Command transmission	Remote
Number of button	3 (Transmitter)
Voltage	12 - 24V <sub>dc</sub> (Receiver)
Operative temperature	-10 : 60
IP protection rated*	66 (Transmitter)
Max contacts amperage (A)	2 (Receiver)
Weight (gr)	480
Dimension (mm)	155x65x45 (Transmitter)

Code	600015
Command transmission	Wire
Number of button	3
Voltage	12 - 24V <sub>dc</sub>
Operative temperature	-10 : 60
IP protection rated*	66
Max contacts amperage (A)	2
Weight (gr)	710
Dimension (mm)	155x65x45

# Radio Remote Control

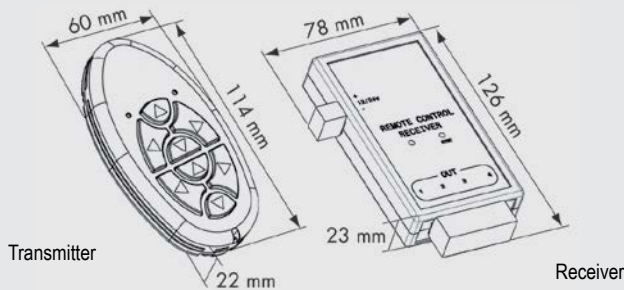


# Mini Remote Control



Lofrans' radio remote control is designed to work with our range of windlasses. The remote control can also be used to operate other onboard equipment such as thrusters, passerelles, cranes, etc.

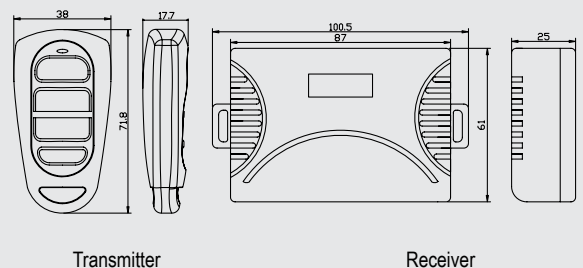
- Transmitter rated IP67
- Supports up to 8 independently controlled channels
- Each receiver can switch 4 channels (12/24 V - 2 A)
- Each transmitter can handle 2 receivers (8 channels)
- Digital recognition avoids accidental activation of other system
- Zero power consumption when in standby mode (transmitter)
- Easy to install and set up, simple to use



Code	312976	312977
Description	Transmitter & Receiver (EU)	Transmitter & Receiver (USA)
Frequency	868 MHz	915 MHz
Number of button	8 (Transmitter)	
Voltage	12 - 24V <sub>dc</sub> (Receiver)	
Operative temperature	-10 : 60	
IP protection rated	67 (Transmitter)	
Max contacts amperage (A)	2 (Receiver)	
Weight (gr)	310	
Dimension (mm)	114x60x22(transmitter) / 126x78x23(receiver)	

\*\* 868 MHz is the authorised frequency for Europe and Australia. 915 MHz is the authorised frequency for Canada and the USA. Retail sales and use of non-authorised frequency transmitters and receivers is prohibited. For all other countries please consult the local regulation in force.

- Easy to install and setup, simple to use.
- Small form factor makes it ideal to carry it anywhere on-board.
- Supports up to 4 independently control channels (12/24V - 10A).
- Zero Power consumption when in standby (transmitter)
- Transmitter rated IP 67



Code	636305
Description	Transmitter & Receiver (EU/USA)
Frequency	433 MHz
Number of button	4
Voltage	12 - 24V (Receiver) 3V (Transmitter)
Operative temperature	-10 : 60
IP protection rated	IP 67
Max contacts amperage (A)	10
Weight (gr)	31 (Transmitter) / 95 (Receiver)
Dimension (mm)	71,8x38x17,7 (Transmitter) / 100,5x61x25 (Receiver)



# Foot switch



This device is a switch which works simply pushing the foot on the button. The base is in stainless steel while the cover to prevent accidental engagement is in composite. The button is in special marine rubber able to withstand UV ray and the marine environment. Available in UP and DOWN version

Code	600012	600011	602121
Description	Black / Grey	Red / Grey	Blue / WASH DOWN
Voltage	12 - 24V <sub>dc</sub>		
Operative temperature	-10 : 6 0		
IP protection rated	67		
Max contacts amperage (A)	5		
Weight (gr)	100		
Dimension (mm)	80x95x20		



## **new** INOX Foot switch

This device, made by marine stainless steel (INOX), is a switch that works simply by pushing the foot on the button.



Code	636075	636074
Description	Black / INOX	Red / INOX
Voltage	12 - 24V <sub>dc</sub>	
Operative temperature	-10 : 6 0	
IP protection rated	67	
Max contacts amperage (A)	5	
Weight (gr)	250	
Dimension (mm)	80x95x20	

# Control Box Solenoids for DC

The Control Box is an electric unit made up of two remote control switches enclosed inside a special container which protects it from marine corrosion. The entire unit has been designed with a view to simplifying and speeding up the various electrical connections. For this purpose there is no need to open and/or pierce the container, as all the terminals and the panel for the electrical connections are perfectly accessible from the outside. Outer construction in self-extinguishing polyester resin, resistant to shock and marine corrosion. Degree of protection IP 56 - protection against deckwater.



Code	600018	600019	600020	602590	600021	600022	602587
Number of terminals	3	3	3	4	4	4	4
Power	12 V	24 V	24 V	12 V	12 V	24 V	24 V
Motor Size	500-1700 W	500-1700 W	1700-2300 W	500-700 W	1000-1700 W	500-1700 W	3500 W

\* Wiring diagrams depending on configuration and number of terminals (see page 63)



# Switchboards for AC

## Switchboard Up/Down 1Motor

The Lofrans' switchboards can cover all the Lofrans' AC motorized windlasses. They can be powered by 110V, 230V or 400V (single phase or three phase), for power up to 7.5 KW. Possibility of supplying low tension starters with inverter and special cabling.

Code	Volt	Kw	PH	Hz
600095	400	2,2	3	50/60
600096	400	4,0	3	50/60
600676	440	2,2	3	50/60
600684	230	3,6	1	50/60
600688	440	4,0	3	50/60
600693	400	5,5	3	50/60
600698	230	2,2	3	50/60



## Circuit Breaker

The thermal circuit breaker is an essential component of the electric plant. It has three functions:

- protects from very dangerous short circuits
- protects the electric motor of the windlass
- interrupts tension to windlass when desired

In case of short circuit the intervention is immediate. Concerning the electric motor a specific intervention curve has been studied in cooperation with E-T-A Germany. It is possible to re-activate the circuit breaker at the end of the intervention. The thermal circuit breaker is supplied with an elegant plaque for fixing and a led light. This unit is in compliance with EEC regulations and homologated by Bureau, Veritas.



	35 A	40 A	70 A	80 A	100 A	125 A
Thermal	187331	-	187332	-	187333	187334
Hydraulic	-	600029	-	630616	600028	-



## Thermal Circuit Breaker Surface Mounted

The thermal circuit breaker is an essential component of the electric plant. It has three functions:

- protects from very dangerous short circuits
- protects the electric motor of the windlass
- interrupts tension to windlass when desired

In case of short circuit the intervention is immediate.

	40 A	70 A	100 A	110 A	120 A	150 A
Thermal	636087	636088	636089	636090	636091	636092





# Control Switch

## TYPE "L"

This switch, usually installed on the cockpit, is made by a fixing plaque and by a three position switch (Up-Off-Down).

Code | 404728



## TYPE "C"

This rocker switch has a modern and practical design. It is reliable and watertight and it is supplied with the apposite case to make simple and sure the installation.

Code | 187338



# Kits for big Models & Capstans

KIT A - SEALS		KIT B - SCREWS		KIT C - PINS		KIT D - CIRCLIPS	
Code	For WINDLASS	Code	For WINDLASS	Code	For WINDLASS	Code	For WINDLASS
474013	X4 & PROJECT 2000	474012	X4 & PROJECT 2000	474011	X4 & PROJECT 2000	474010	X4 & PROJECT 2000
418428	ERCOLE VERTICAL	418475	ERCOLE VERTICAL	418499	ERCOLE VERTICAL	418556	ERCOLE VERTICAL
418403	TITAN	418457	TITAN	418493	TITAN	418553	TITAN
418423	ERCOLE	418472	ERCOLE	418494	ERCOLE	418555	ERCOLE
427806	SUPER ERCOLE	418476	SUPER ERCOLE	418500	SUPER ERCOLE	418575	SUPER ERCOLE
418410	T500	418446	T500	418483	T500	418512	T500
418411	T700 - T1000			418487	T1500 - T1700	418513	T700 - T1000
418422	T1500 - T1700					418514	T1500 - T1700
418399	T2000 - T2500					418515	T2000 - T2500

KIT F - FINGERS		KIT S - MAGNETIC SENSORS	
Code	For WINDLASS	Code	For WINDLASS
474023	X1, X2 & PROJECT 1000	474053	X1, X2 & X3
474017	X3 & PROJECT 1500	600033	X4
601047	X2	474048	for all horizontal windlasses
602105	X3		
35036	DORADO		
632116	ATLAS		

# Winch Handle Floating

- Floats in water
- Material: glass reinforced plastic

Code	Description	Length
72740	with locking	205mm
72741	with locking	255mm
72742	without locking & handle	205mm
72743	without locking & handle	255mm
72907	without locking	255mm



# Maintenance Kit

**KEEP YOUR LOFRANS' AS GOOD AS NEW!**

Code	For WINDLASS
72036	X0
72037	X1
72038	X2 & PROJECT 1000
72039	X2 ALU
72040	X3, X3 ALU & PROJECT 1500
72046	ROYAL
72047	DORADO
72048	KOBRA & CAYMAN
72050	TIGRES
72051	FALKON
72045	ATLAS

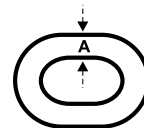


Please refer to our website for Kit Contents

Exploded diagram ►

# CABO Rope for chain rode use

*three strand with connection, Nylon, White*



Code	72319	72320	72321	72322	72323	72324
Rope Diameter (mm)		12		14		16
Length (m)	30	60	90	30	60	60
Ring Diameter - A (mm)		6		8		10
Breaking load (kg)		2300		2940		3640

# CHAINS



It is LOFRANS!!!

Hot Dip Galvanized.

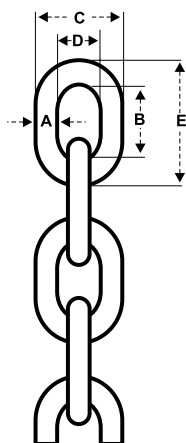
Calibrated.

Grade 40 - tougher than Grade 30 - over 30% higher breaking load.

Extended quality tested on Lofrans' Windlasses.

Lofrans' Authenticity Check -"LFR" is engraved every thirty centimeters.

Certificate of Analysis Included



Code	72312	723121	72749	72750	72313	723131	72751	72752	72314	723141
Type	ISO 4565 / DIN 766				ISO 4565 / DIN 766				DIN 766	
A (mm)	6				8				10	
B (mm)	18,5				24				28	
C (mm)	20				27,5				34	
D (mm)	8				11,5				14	
E (mm)	30,5				40				48	
Weight / m (kg)	0,8				1,42				2,2	
Breaking load (kg)	2400				4300				6750	
Available Pack (m)	Carton Drum	Pallet box	Bag	Bag	Carton Drum	Pallet box	Bag	Bag	Carton Drum	Pallet box
	120	400	30	50	120	400	30	50	120	300

Code	72315	723151	72753	72754	72316	723161	72755	72408	72409
Type	ISO 4565				ISO 4565			ISO4565 / DIN 766	
A (mm)	10				12			14	16
B (mm)	30				36			41,5	45
C (mm)	34,5				39,6			47,4	54,6
D (mm)	14,5				15,6			19,4	22,6
E (mm)	50				60			69,5	77
Weight / m (kg)	2,14				3,23			4,37	5,72
Breaking load (kg)	6750				9700			13230	17280
Available Pack (m)	Carton Drum	Pallet Box	Bag	Bag	Carton Drum	Pallet box	Bag	Carton Drum	Carton Drum
	120	300	30	50	120	300	50	200	200

## Available Packs



Carton Drum



Pallet Box



Bag

**WITH THE EXPERIENCE  
AND QUALITY OF**

**Lofrans!**

WINDLASSES



# GYPSIES



## For Vertical Windlasses

For windlass	Chain Size	Gypsy Code
X1 & SX1	6mm ISO4565/DIN766	630970
	7mm ISO4565 - 1/4" G40	630980
	8mm ISO4565/DIN766	630999
X2 & SX2	6mm ISO4565/DIN766	630953
	8mm ISO4565/DIN766	630949
	10mm ISO4565	630951
	10mm DIN766	630955
X3 & SX3	8mm ISO4565/DIN766	630957
	10mm ISO4565	630951
	10mm ISO4565	630959
	10mm DIN766	630966
	12mm ISO4565 - 13mm DIN766	630961
SX3.5	10mm DIN766	631026
	10-38 HT (NICHELATO)	631024
	12-13mm DIN766	631045
	14mm	631074
X4 & SX4	3/8" G40	631124
	7/16" HT	630992
	1/2" G40	631036
	10mm DIN766 3/8" BBB	631132
	10mm ISO4565 3/8" HT	631022
	12-13mm DIN766	631031
	13mm DIN764	631050
14mm	631059	
SX5	1/2" STUDLINK	631053
	12-13mm DIN766	631042
	14mm	631065
	14STUDLINK	631071
Ercole Vertical	1/2" STUDLINK	631053
	12-13mm DIN766	631039
	13ITALMET	631056
	13mm DIN764	631085
	14mm	631065
	14STUDLINK	631068
	14.5 UNI4417	630989
	16mm ISO4565	631082
	16mm DIN766	631088
	16 STUDLINK	631092
	18STUDLINK	631098
18mm ISO4565	631101	
Project 1000	6mm ISO4565/DIN766	630953
	8mm ISO4565/DIN766	630949
	10mm ISO4565	630951
	10mm DIN766	630955
Project 1500	8mm ISO4565/DIN766	630957
	10mm ISO4565	630951
	10mm ISO4565	630959
	10mm DIN766	630966
	12mm ISO4565 - 13mm DIN766	630961
Project 2000	5/16" HT	631129
	7/16" HT	630992
	1/2" G40	631036
	10mm DIN766 - 3/8" BBB	631132
	10mm ISO4565 - 3/8" HT	631022
	12-13mm DIN766	631031
	14mm	631059

## For Horizontal Windlasses

For windlass	Chain Size	Gypsy Code
Royal	5/16" HT	631077
	3/8" BBB	631120
	3/8" PC	631122
	6mm ISO4565/DIN766	630968
	7mm ISO4565 - 1/4" G40	630978
	8mm ISO4565/DIN766	630994
	10mm ISO4565 - 3/8" HT	631011
	10mm DIN766	631118
LION 1000	6mm ISO4565/DIN766	631005
	7mm ISO4565	631007
	8mm ISO4565/DIN766	631009
Dorado	6mm ISO4565/DIN766	630974
	7mm ISO4565 - 1/4" G40	630984
	8mm ISO4565/DIN766	631003
	Only ROPE gypsy	634877
Cayman	5/16" HT	631077
	3/8" BBB	631120
	3/8" PC	631122
	6mm ISO4565/DIN766	630968
	7mm ISO4565 - 1/4" G40	630978
	8mm ISO4565/DIN766	630994
Kobra	10mm ISO4565 - 3/8" HT	631011
	10mm DIN766	631118
	5/16" HT	631077
	3/8" BBB	631120
	3/8" PC	631122
Tigres	6mm ISO4565/DIN766	630968
	7mm ISO4565-1/4" G40	630978
	8mm ISO4565/DIN766	630994
	10mm ISO4565 - 3/8HT	631011
	10mm DIN766	631118
	12mm ISO4565 - 13mm DIN766	631028
	5/16" HT	631129
Falkon	1/2" G40	631036
	8mm ISO4565/DIN766	630996
	10mm ISO4565-3/8HT	631022
	10mm DIN766 - 3/8" BBB	631132
	12-13mm DIN766	631031
	3/8" G40	631124
Titan	7/16" HT	630992
	1/2" G40	631036
	10mm ISO4565 - 3/8" HT	631022
	10mm DIN766 - 3/8" BBB	631132
	12-13mm DIN766	631031
	14mm	631059

## For Horizontal Windlasses

For windlass	Chain Size	Gypsy Code
Super Ercole	5/8" HT	630986
	12-13mm DIN 766	631039
	14mm	631065
	16mm ISO 4565	631082
	16mm DIN 766	631088
	16 STUDLINK	631092
	18mm DIN 766	631095
	18 STUDLINK	631098
	18mm ISO 4565	631101
Ercole Horizontal	19 STUDLINK	631104
	1/2" STUDLINK	631053
	12-13mm DIN 766	631039
	13 ITALMET	631056
	14mm	631065
	16mm ISO 4565	631082
	16mm DIN 766	631088
	16 STUDLINK	631092
	18 STUDLINK	631098
	18mm ISO 4565	631101

### Chain Identification

CHAIN d	Inside Length L (mm)	Outside Width w (mm)
6 ISO	18	20
7 ISO	21	24
8 ISO	24	27
10 ISO	30	34
12 ISO	36	40
14 ISO	42	47
6 DIN 766	18,5	20
7 1/4" DIN 766	22	23
8 - 5/16" DIN 766	24	26
10 - 3/8" DIN 766	28	34
13 - 1/2" DIN 766	36	44

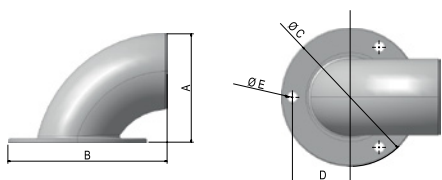
## Chain Pipes for SX Series - Vertical Windlasses

### Stainless Steel

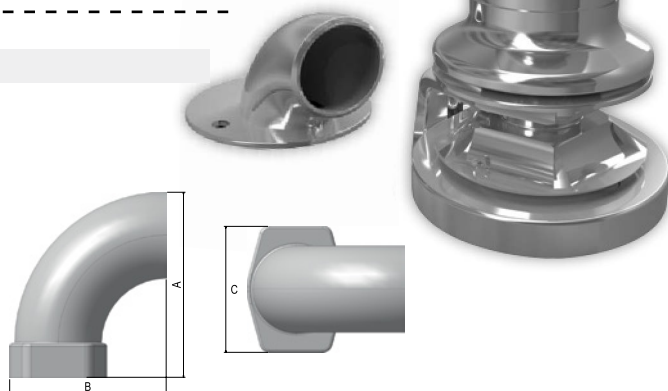


Code	636311	636312	636313	636314
for windlass	SX2 & SX3	SX3,5	SX4	SX5

#### Dimensions in mm



Model	Code	A	B	C	D	E
For SX2 & SX3	636311	86	127	Ø110	46	Ø8,5
For SX3,5	636312	114	165	Ø140	55	Ø10,5
For SX4	636313	125	163	Ø140	55	Ø10,5



Model	Code	A	B	C
For SX5	636314	191	161,5	130

# SELECTING THE WINDLASS

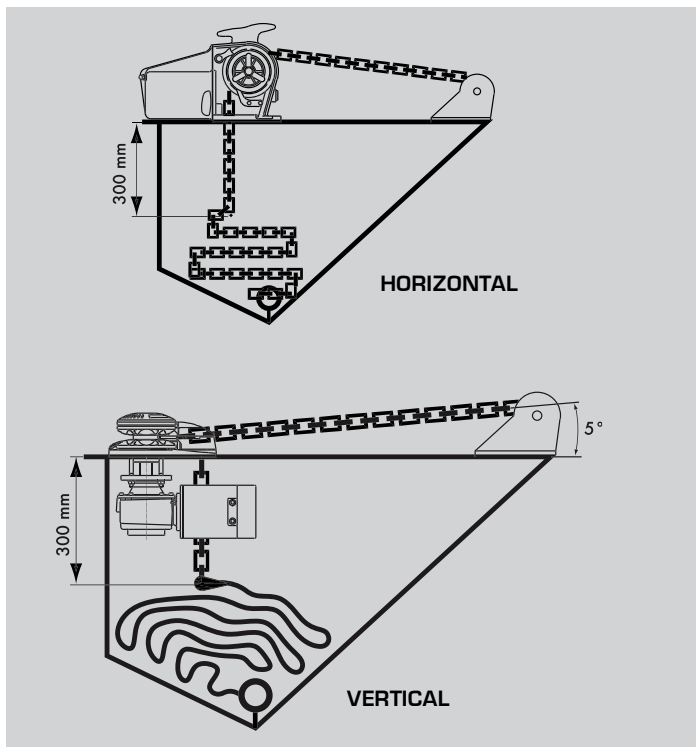
## VERTICAL OR HORIZONTAL?

The space available on and under the deck is the main criteria to be considered when selecting a vertical or a horizontal windlass.

**Vertical windlasses** have main shaft rotation vertical to the deck and allowing a reduced use of space on deck while the electric motor and the gearbox are below deck, in the chain locker.

**Horizontal windlasses** are installed on deck and they have a rotation horizontal to the deck. They are recommended on vessels where there is a limitation to the chain locker space. The electric motor and the gearbox are protected by a cover and they are easily accessible for maintenance.

To help stowing of the chain in the chain locker and for better performance of the windlass, the distance between the top of the heaped chain and the underdeck must be at least 300 mm.



## DC, AC OR HYDRAULIC?

The windlass can be supplied in three different ways of motorization: direct current, alternate current and hydraulic.

- D.C. motorization is the most popular for reliability. The maintenance is very limited and this kind of electric motor is used for vessels up to 90 feet of length.
- A.C. motorization is the choice for boats from 90 up to 120 feet of length which have generators on board. A.C. motors offer good torque; they need a simple installation and limited maintenance.
- Hydraulic motorization gives the advantage of supply a constant torque while the load changes. They are very popular on boats of over 120 feet length. They need a specific installation.

## MAX PULL AND WORKING LOAD

**Max pull** is the maximum pull that the windlass is able to supply for a few seconds.

**Working Load** is a load which simulates the operating conditions.. This load is the reference for ampere drawing and the speed data indicated in the catalogue.

## PROPER WINDLASS SELECTION

The steps to select a vertical or horizontal windlass are:

- Select the proper model checking the chart - windlass model length of the boat.
- Calculate the ground tackle which is made by anchor weight, total chain and rope weight on board.
- Ground tackle not to exceed the working load with a tolerance + 10%.

Eg sample on a boat of 42 feet

1. Calculation of the round tackle (anchor + rope + total chain)				
eg	Anchor	Chain 10 - 75mt - weight 2,2 kg/mt	Rope 25m/75ft	Ground tackle
	25g	165Kg	5Kg	190Kg

## CIRCUIT BREAKER

The circuit breaker protects the electric motor and the cables of the windlass from current overload. It is installed on the power line and it trips automatically when the current is over the rated use following a specific time/ current curve. It is essential install this device for safety reasons.

The circuit breaker once tripped can be engaged again.

Choosing the proper circuit breaker is very important. You have to select the delayed time/current curve as the anchor windlass ampere drawing changes following the variable load.

Lofrans' does not recognize warranty in case of improper proper circuit breaker being installed.

## SAFETY

The windlass is designed to lift the ground tackle but it is not designed to take the load of the whole boat. For this reason we strongly recommend the use of a chain stopper in order to spread the load and avoid to damage from overload on the structural components of the windlass.



## MANUAL OVERRIDE

Most of the Lofrans' windlasses are supplied with manual override which makes the windlass able to recover the chain in case of failure of the electric.

The manual override is inserted inside the gearbox and consists of a spring loaded ratchet which has the secondary function to make a sort of mechanical safety feature, in order to prevent chain jams in the chain locker from damaging the deck.

## CLUTCH

In the Lofrans' anchor windlasses, the main shaft and the gypsi are connected by a pair of conical discs called clutches. They are normally engaged by screwing the top or side, star shaped nut. To engage or disengage the clutch you have to insert the supplied handle in this nut.

By disengaging the clutch, the gypsi is free to rotate and the weight of the anchor releases the rode into the water.

## AUTOMATIC FREE FALL

On some horizontal anchor windlasses there is an installed optional device called AUTOMATIC FREE FALL. This device allows the user to disengage the clutch automatically simply by pushing the DOWN button of the remote.

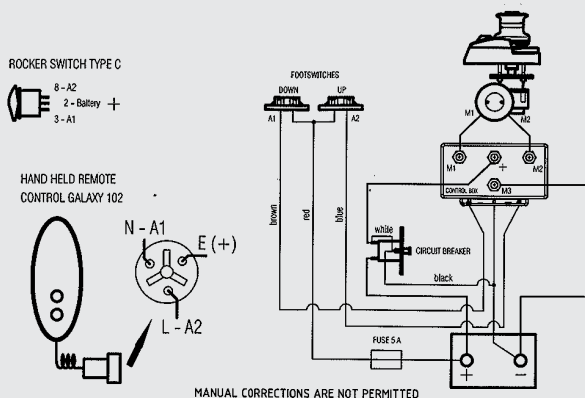
## ROPE AND CHAIN MANAGEMENT

Most of the Lofrans anchor windlasses are able to manage rope and chain by a special spring load tension arm called finger which pushes the rope deeply inside the gypsi teeth.

# Wiring diagrams depending on configuration and number of terminals

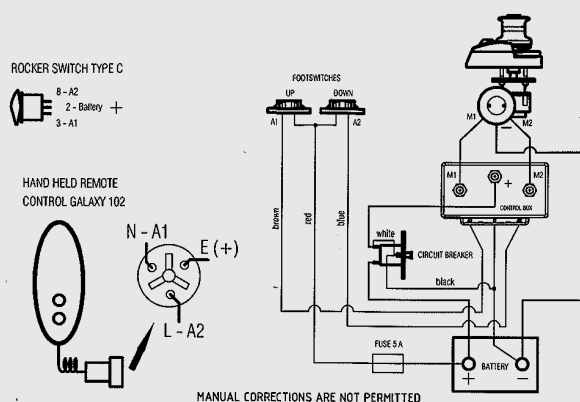
### WIRING DIAGRAM - 2 TERMINALS ELECTRIC MOTOR

Control Box Code: 600021 - 600022



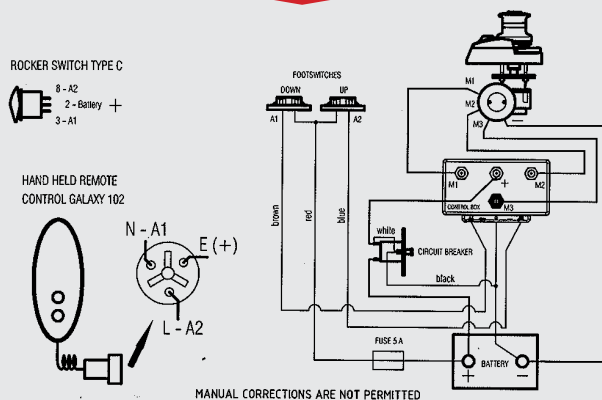
### WIRING DIAGRAM - 3 TERMINALS ELECTRIC MOTOR

Control Box Code: 600018 - 600019 - 600020

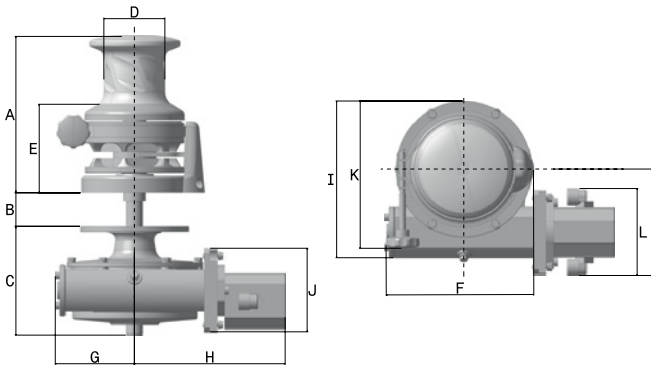


### WIRING DIAGRAM - 4 TERMINALS ELECTRIC MOTOR

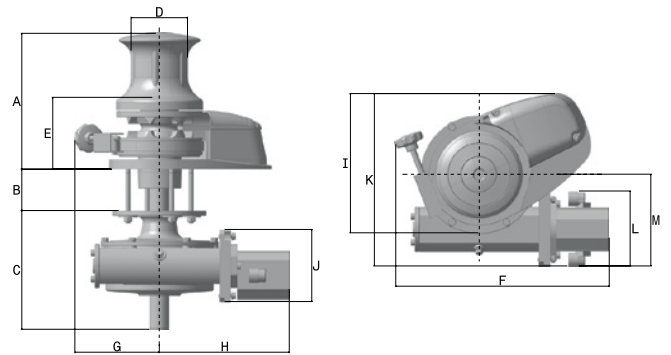
Control Box Code: 600021 - 600022



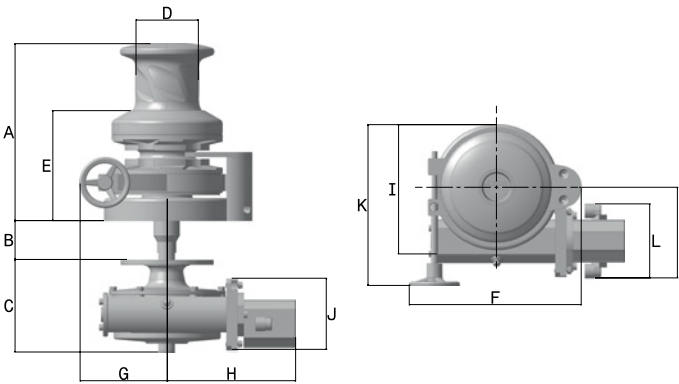
## Hydraulic Models - Dimensions in mm



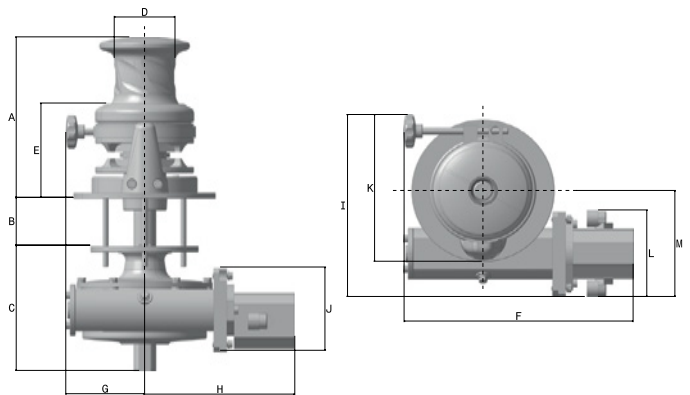
SX3,5	A	B	C	D	E	F	G	H	I	J	K	L	M
Hydraulic 8cc	281	60	195	Ø109	159	265	142	271	281	150	264	156	191



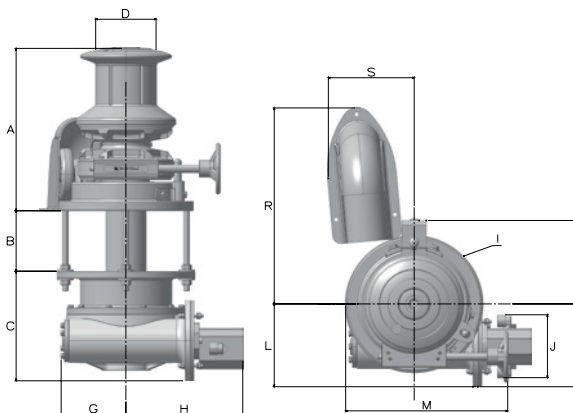
X4	A	B	C	D	E	F	G	H	I	J	K	L	M
Hydraulic 8cc	283	86	247	Ø117	150	444	176	541	290	150	359	156	191



SX5	A	B	C	D	E	F	G	H	I	J	K	L	M
Hydraulic 8cc	373	82	195	Ø131	232	362	184	271	272	150	339	156	191



SX4	A	B	C	D	E	F	G	H	I	J	K	L	M
Hydraulic 8cc	289	86	226	Ø109	170	412	142	541	328	150	264	156	191



Ercole Verticale	A	B	C	D	G	H	I	J	L	M	N	P	R	S
Hydraulic 11cc	400	150	272	150	160	290	340	156	205	405	205	205	min 490 - max 600	min 200 - max 230

# INTEGRATED HYDRAULIC SYSTEMS



As of 2013, a strong partnership has been built among Lofrans' and Max Power thrusters creating a synergy in yacht control and maneuvering solutions.

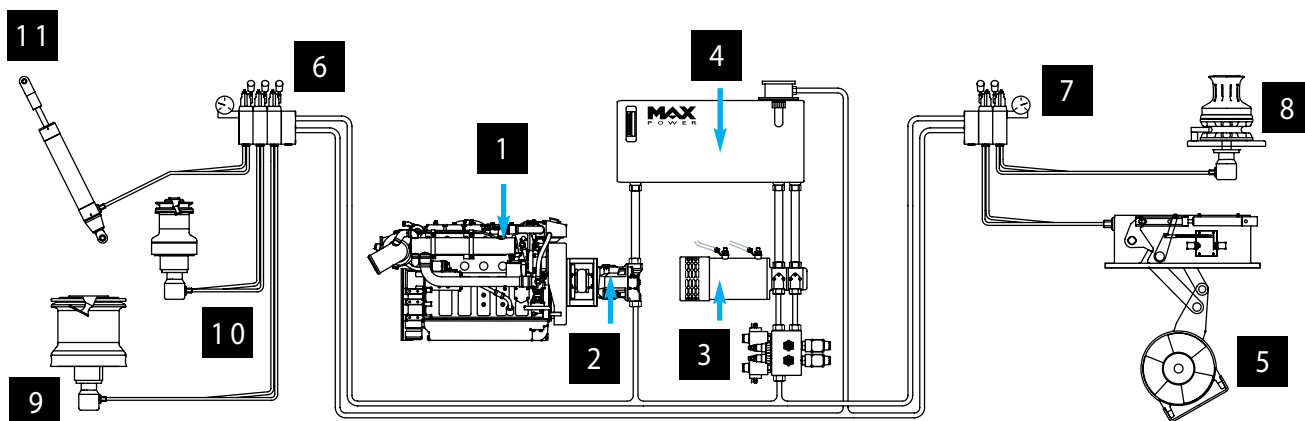
As a natural evolution from simple stand-alone independent units, Max Power is able to offer fully integrated hydraulic systems for sailing yachts. Whether running winches, windlasses, bow thrusters, stern thrusters, hydraulic davits or complex keel lifting mechanisms, our complete hydraulic solutions are used by many of the world's large sailing yacht manufacturers. Unique in their flexibility, Our systems are built using a common central line principle.



This means any function can be run from any power source thereby allowing a high level of user control. The use of load sensing pumps and valves ensures efficient and silent operation over a wide range of hydraulic flows and pressures. Our experience in designing and supplying complete solutions ensures that a Max Power-Lofrans' integrated system will be efficient, flexible and reliable.

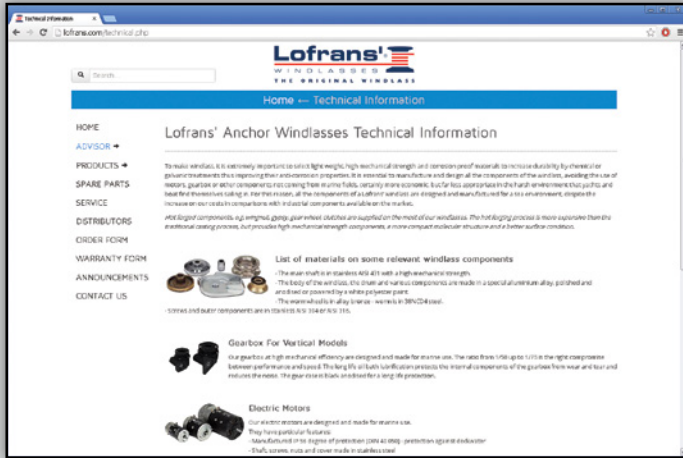
Sailing yacht power systems typically include one or several generator mounted hydraulic pumps and in addition will require a DC power pack for silent sailing and light maneuvering. The PowerValve™ power pack range used in our systems, offers exceptional flexibility and power efficiency over a wide range of hydraulic flows.

Available as single or twin motor units, each motor pump can deliver 3 flow ratings at two predetermined system pressures, thereby accommodating a wide variety of hydraulic functions. From high pressure, low flow keel, to a powerful high flow windlass, each function only draws the amperage needed for that specific application.



- |                                      |                  |
|--------------------------------------|------------------|
| 1 Generator with PTO                 | 7 Control Valve  |
| 2 Variable displacement pump         | 8 Windlass       |
| 3 DC power pack                      | 9 Winch          |
| 4 Oil tank with filtration and gages | 10 Winch         |
| 5 Thruster                           | 11 Hydraulic ram |
| 6 Control Valve                      |                  |

# www.lofrans.com

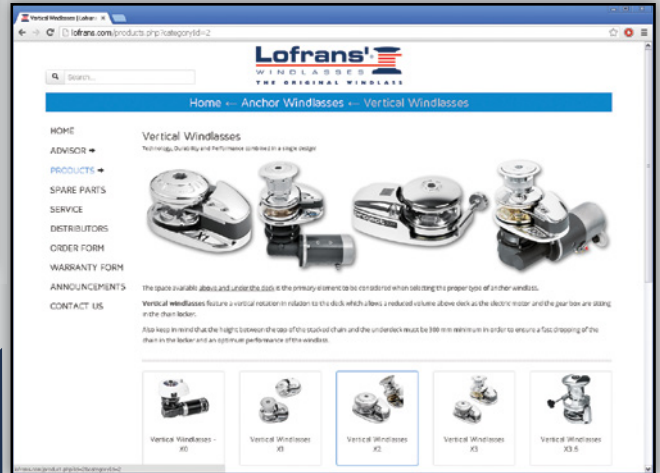


## ADVISOR

Up-to-date technical information

## PRODUCTS

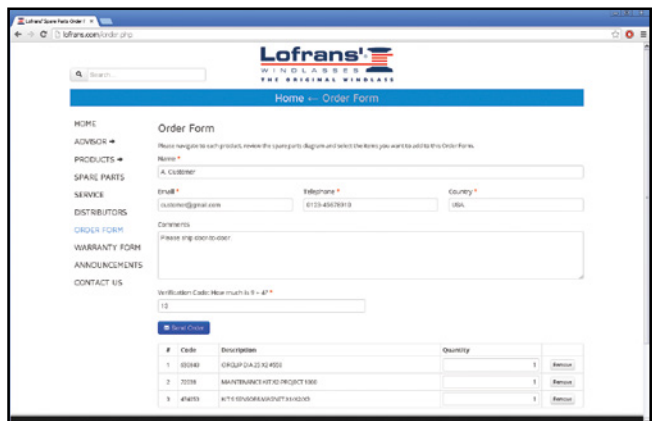
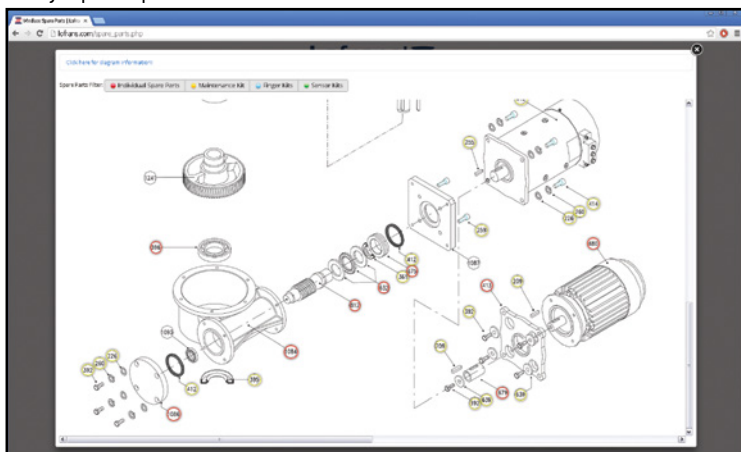
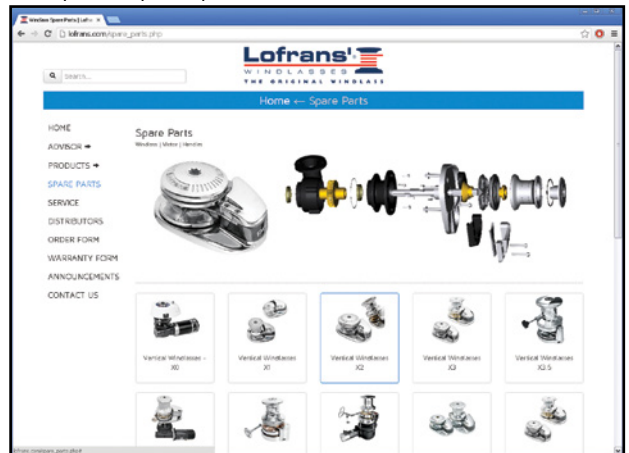
Comprehensive product selection



## Complete spare parts information

## SPARE PART ORDERING IN 2 STEPS

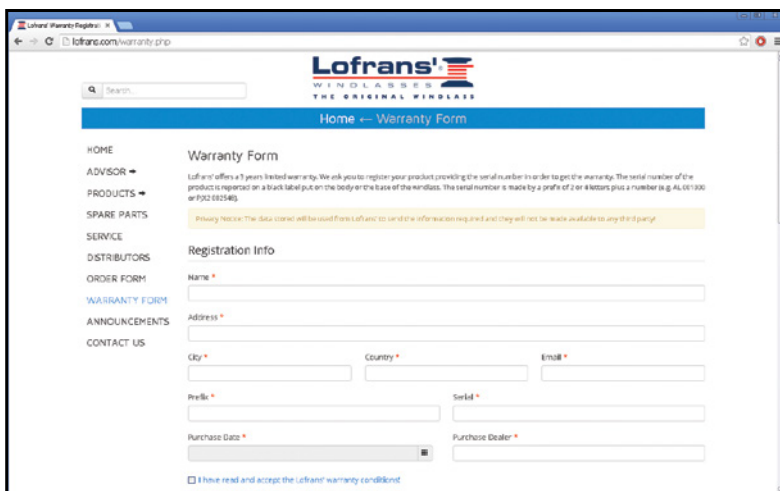
Easy spare part selection



To order spare parts, all is needed is an internet connection

# WARRANTY

Take advantage of the 3 year warranty period



# GLOBAL NETWORK

Lofrans' international representation

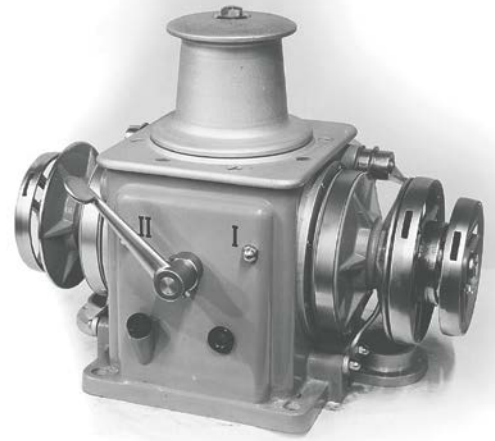


# Lofrans<sup>®</sup>

WINDLASSES

THE ORIGINAL WINDLASS

We have been making  
boating safer & easier  
since 1966



We have  
revived & reinvented  
customer satisfaction

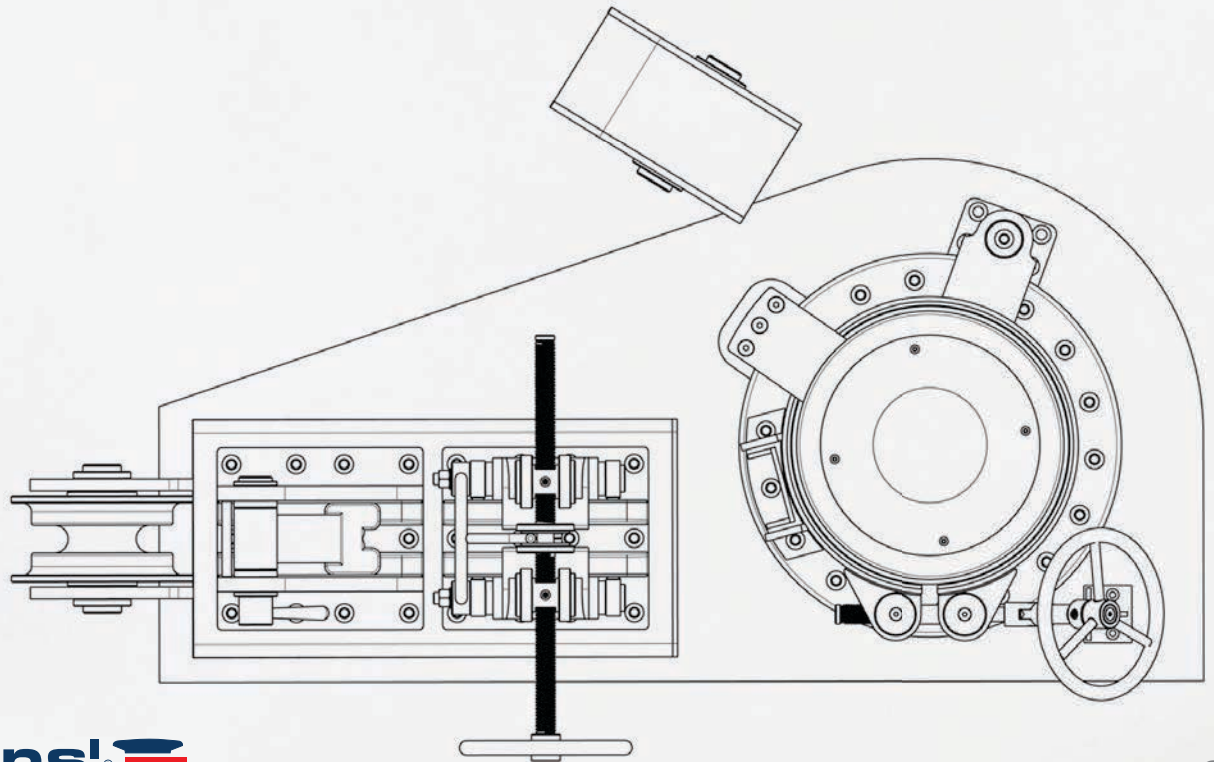
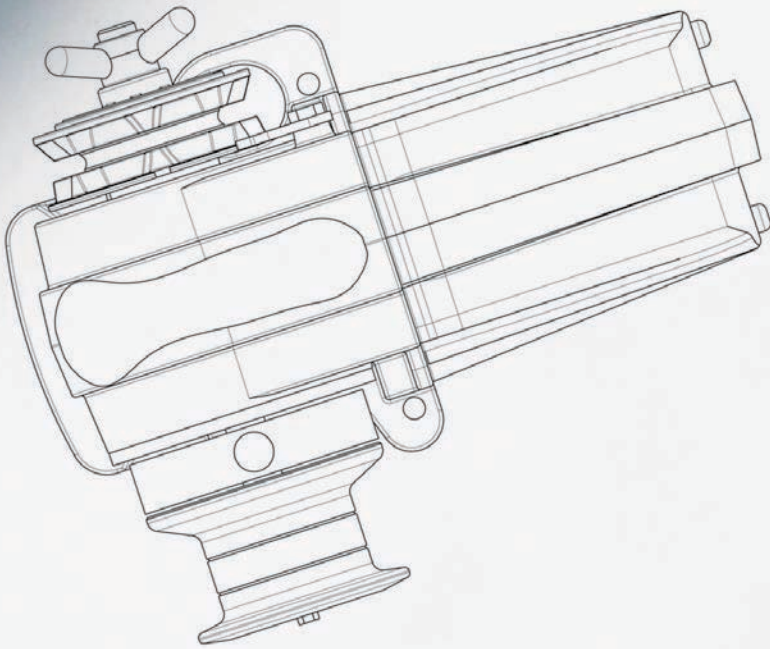


**Lofrans!**<sup>®</sup> 

---

W I N D L A S S E S

**T H E O R I G I N A L W I N D L A S S**



**Lofrans!**  
WINDLASSES  
THE ORIGINAL WINDLASS

**A:** Via Philips 5, 20900 Monza (MI), Italy  
**T:** +39 039 200 1973 - 936  
**F:** +39 039 2004299  
**E:** [contact@lofrans.com](mailto:contact@lofrans.com)  
**W:** [www.lofrans.com](http://www.lofrans.com)